

# J55 L80 N80Q P110 TUBING COUPLINGS



## Specification:

These J55 , L80, N80 & P110 tubing couplings are manufactured accordance with API 5CT specification:

**Type** – API 5CT Tubing Couplings

**Thread Type** – EUE

**Grade** – J55, L80, N80 & P110

**Standard** – API 5CT

**Surface Treatment** – Whole phosphating, or inside phosphating and outside coating

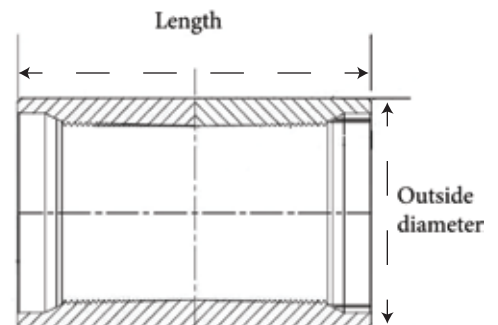
**Color Code** –

J55 Green

L80 Red with brown strips

N80 Red with green strips

P110 White



## Size and Specification:

Tubing Size	Thread type	Outside Diameter (in.)	Length (in.)
2-3/8"	EUE	3.060	4.940
2-7/8"	EUE	3.668	5.295
3-1/2"	EUE	4.500	5.800

\* Due to the continuous development of our products, design or construction may change without prior notice.