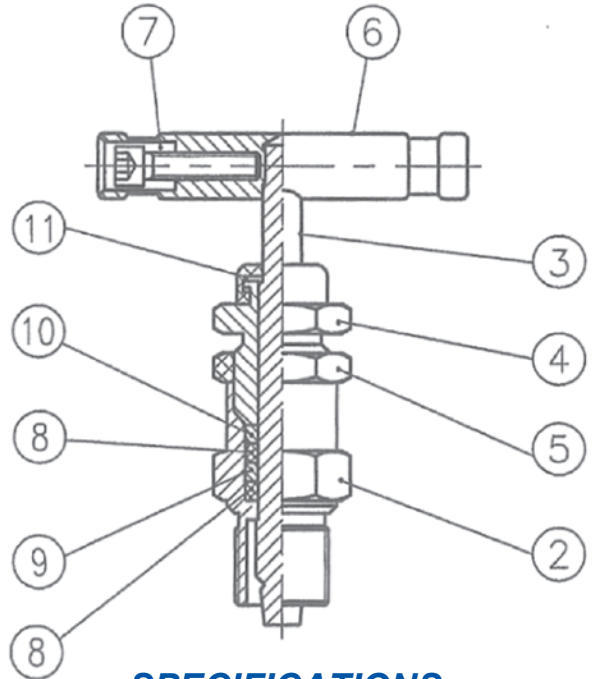


CARBON STEEL MULTIPORT NEEDLE VALVE

SERIES: CMP-10000



SPECIFICATIONS

RATED TO 10,000 PSI (T TYPE)

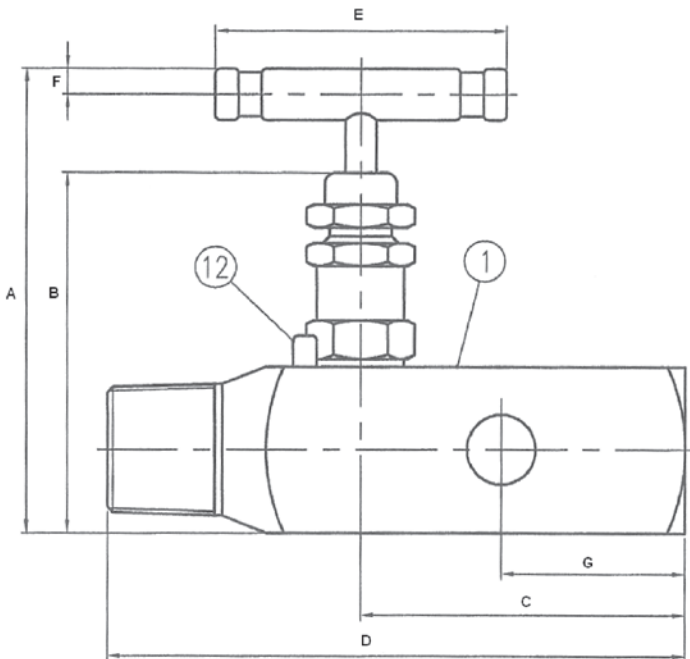
CARBON STEEL CONSTRUCTION

TEFLON PACKING

WORKING TEMPERATURE -20 DEG F TO 300 DEG F

THREADS CONFORM TO ASME B1.20.1

NACE MR0175



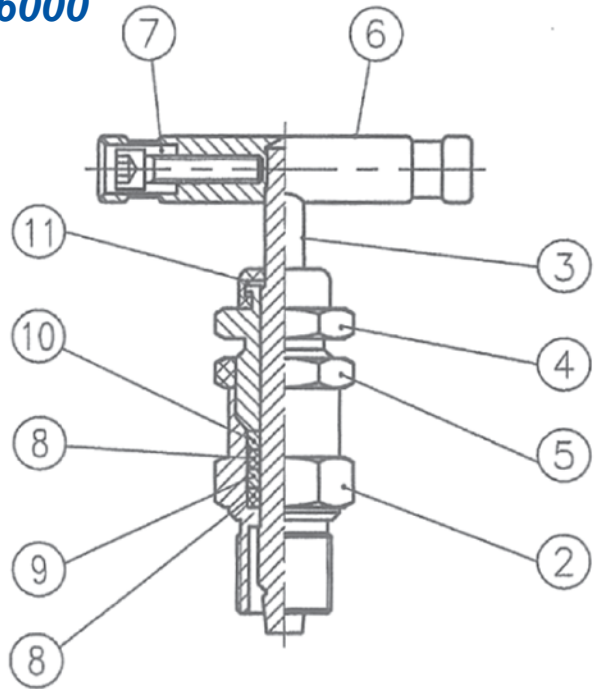
ITEM	MATERIAL	
1	VALVE BODY	CARBON STEEL
2	BONNET	CARBON STEEL
3	STEM	SS304
4	PACKING NUT	CARBON STEEL
5	FIXING SCREW	CARBON STEEL
6	HANDLE	CARBON STEEL
7	HANDLE FIXING SCREW	CARBON STEEL
8	PACKING	TEFLON
9	BACK UP RING	SS 304
10	BACK UP RING	SS 304
11	DUST CAP	NBR
12	BONNET LOCK PIN	SS303

DIMENSIONS- 10,000 PSI

NPS	PART #	DESCRIPTION	A	B	C	D	E	F	G
1/2"	CMP8M8FT	CARBON STEEL MX3F 10,000 PSI	3.54	2.74	2.49	4.44	2.24	0.19	1.41
3/4"	CMP12M8FT	CARBON STEEL MX3F 10,000 PSI	3.54	2.74	2.49	4.44	2.24	0.19	1.41

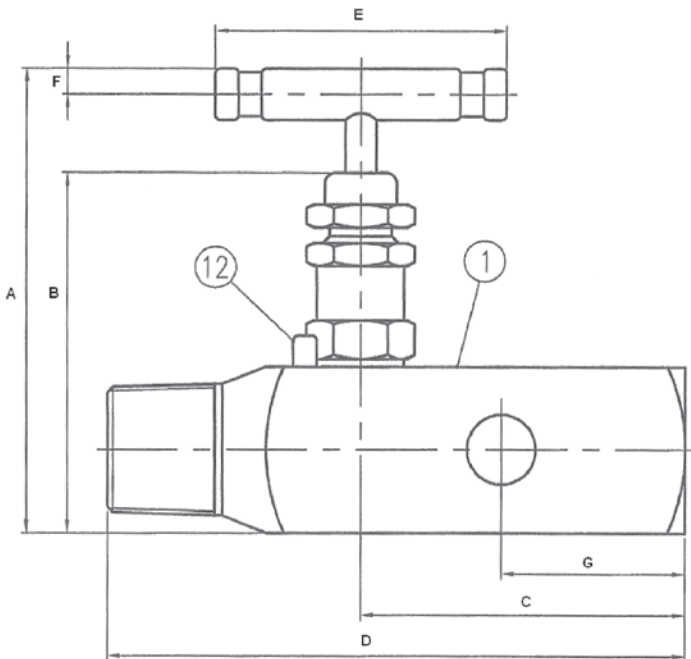
* Due to the continuous development of our products, design or construction may change without prior notice

CARBON STEEL MULTI-PORT NEEDLE VALVE SERIES: CMP-6000



SPECIFICATIONS

RATED TO 6,000 PSI (V TYPE)
CARBON STEEL CONSTRUCTION
TEFLON/VITON PACKING AND SEALS
WORKING TEMPERATURE -20 DEG F TO 300 DEG F
THREADS CONFORM TO ASME B1.20.1
NACE MR0175



ITEM	MATERIAL
1	VALVE BODY CARBON STEEL
2	BONNET CARBON STEEL
3	STEM SS304
4	PACKING NUT CARBON STEEL
5	FIXING SCREW CARBON STEEL
6	HANDLE CARBON STEEL
7	HANDLE FIXING SCREW CARBON STEEL
8	PACKING VITON
9	BACK UP RING TEFLON
10	BACK UP RING TEFLON
11	DUST CAP NBR
12	BONNET LOCK PIN SS303

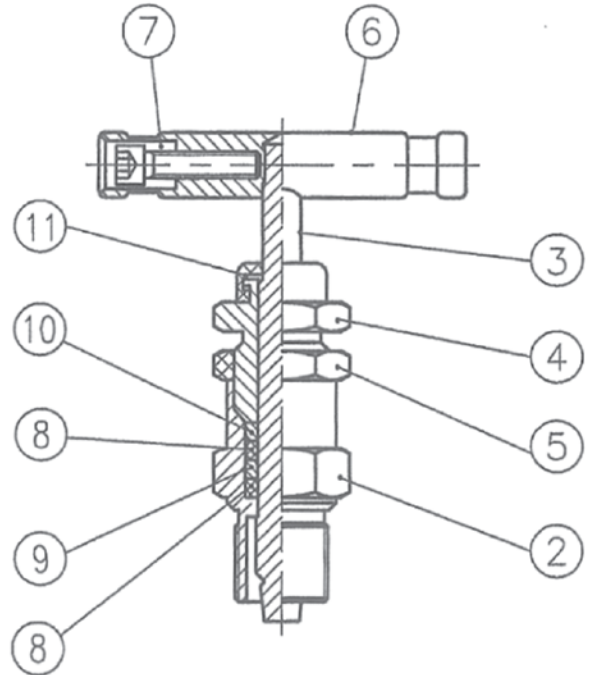
DIMENSIONS- 6,000 PSI

NPS	PART #	DESCRIPTION	A	B	C	D	E	F	G
1/2"	CMP8M8FV	CARBON STEEL MX3F 6,000 PSI	3.54	2.74	2.49	4.44	2.24	0.196	1.41
3/4"	CMP12M8FV	CARBON STEEL MX3F 6,000 PSI	3.54	2.74	2.49	4.44	2.24	0.196	1.41

* Due to the continuous development of our products, design or construction may change without prior notice

STAINLESS STEEL MULTIPORT NEEDLE VALVE

SERIES: SMP-10000



SPECIFICATIONS

RATED TO 10,000 PSI (T TYPE)

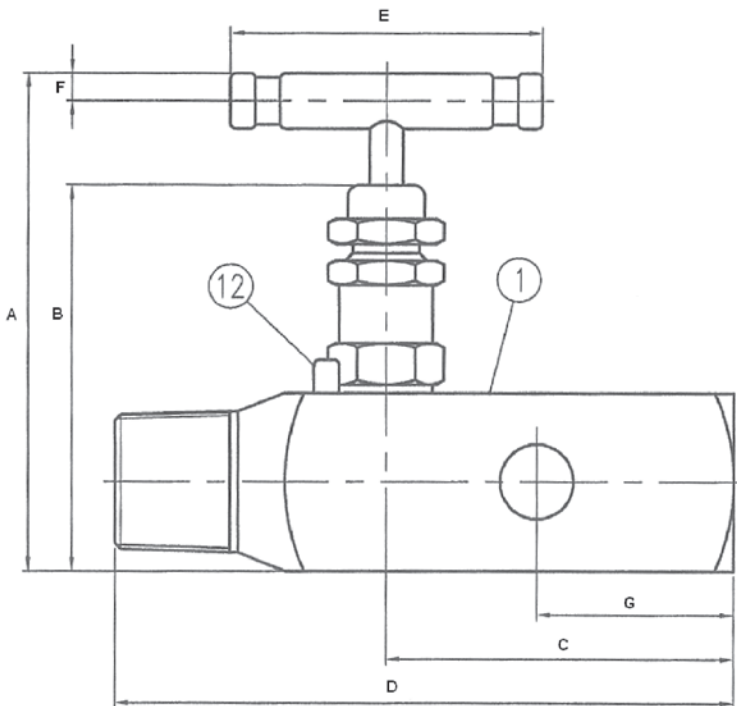
STAINLESS STEEL CONSTRUCTION

TEFLON PACKING

WORKING TEMPERATURE -20 DEG F TO 300 DEG F

THREADS CONFORM TO ASME B1.20.1

NACE MR0175



	ITEM	MATERIAL
1	VALVE BODY	SS316
2	BONNET	SS316
3	STEM	SS316
4	PACKING NUT	SS316
5	FIXING SCREW	SS316
6	HANDLE	SS303
7	HANDLE FIXING SCREW	SS302
8	PACKING	TEFLON
9	BACK UP RING	SS304
10	BACK UP RING	SS304
11	DUST CAP	NBR
12	BONNET LOCK PIN	SS303

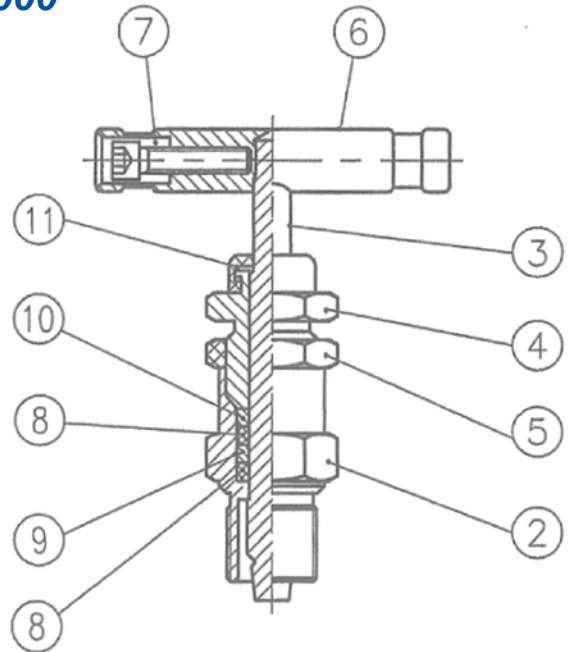
DIMENSIONS- 10,000 PSI

NPS	PART #	DESCRIPTION	A	B	C	D	E	F	G
1/2"	SMP8M8FT	STAINLESS STEEL MX3F 10,000 PSI	3.54	2.74	2.49	4.44	2.24	0.19	1.41
3/4"	SMP12M8FT	STAINLESS STEEL MX3F 10,000 PSI	3.54	2.74	2.49	4.44	2.24	0.19	1.41

* Due to the continuous development of our products, design or construction may change without prior notice

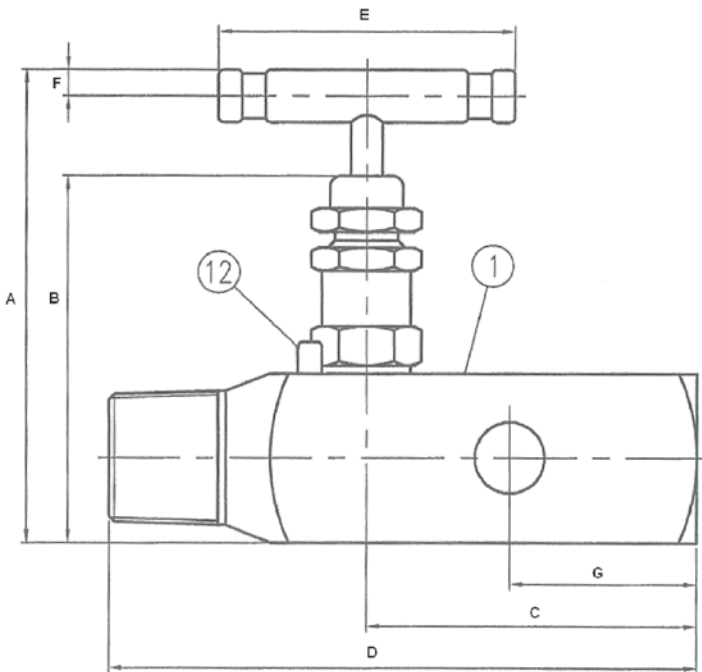
STAINLESS STEEL MULTIPORT NEEDLE VALVE

SERIES: SMP-6000



SPECIFICATIONS

- RATED TO 6,000 PSI (V TYPE)
- STAINLESS STEEL CONSTRUCTION
- TEFLON/VITON PACKING AND SEALS
- WORKING TEMPERATURE -20 DEG F TO 300 DEG F
- THREADS CONFORM TO ASME B1.20.1
- NACE MR0175



	ITEM	MATERIAL
1	VALVE BODY	SS316
2	BONNET	SS316
3	STEM	SS316
4	PACKING NUT	SS316
5	FIXING SCREW	SS316
6	HANDLE	SS303
7	HANDLE FIXING SCREW	SS302
8	PACKING	VITON
9	BACK UP RING	TEFLON
10	BACK UP RING	TEFLON
11	DUST CAP	NBR
12	BONNET LOCK PIN	SS303

DIMENSIONS- 6,000 PSI

NPS	PART #	DESCRIPTION	A	B	C	D	E	F	G
1/2"	SMP8M8FV	STAINLESS STEEL MX3F 6,000 PSI	3.54	2.74	2.49	4.44	2.24	0.19	1.41
3/4"	SMP12M8FV	STAINLESS STEEL MX3F 6,000 PSI	3.54	2.74	2.49	4.44	2.24	0.19	1.41

* Due to the continuous development of our products, design or construction may change without prior notice