

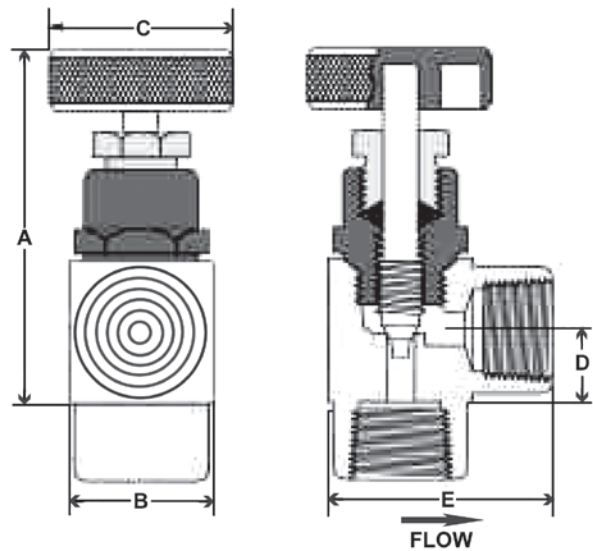


STAINLESS STEEL ANGLE NEEDLE VALVE

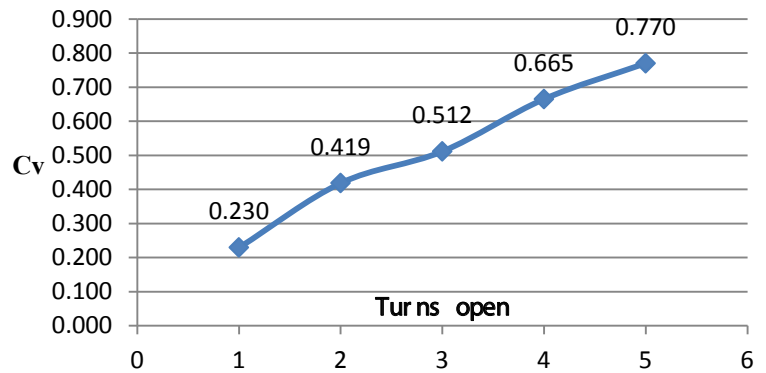
SERIES: SNA SERIES

SPECIFICATIONS

RATED TO 10,000 PSI
 STAINLESS STEEL CONSTRUCTION
 NACE MR0175



CNA8M8FT & SNA8M8FT



DIMENSIONS

NPS	PART #	STYLE	A	B	C	D	E
1/2"	SNA8M8FT	M X F	4.77"max	1.267"	2.25"	1.40"	1.81"
1/2"	CNA8M8FT	M X F	4.77"max	1.267"	2.25"	1.40"	1.81"

* Due to the continuous development of our products, design or construction may change without prior notice