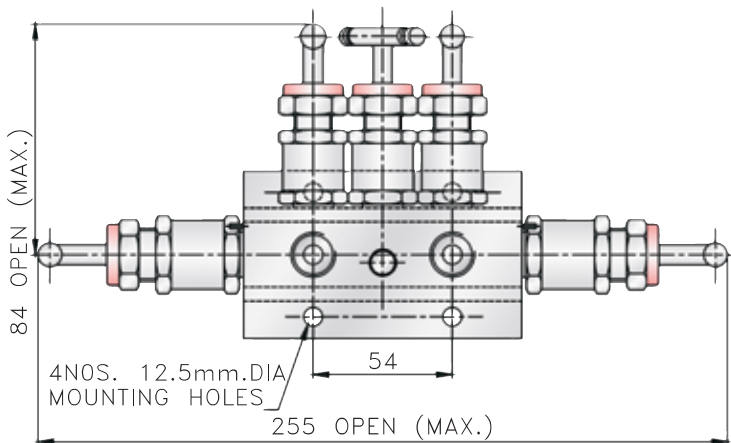
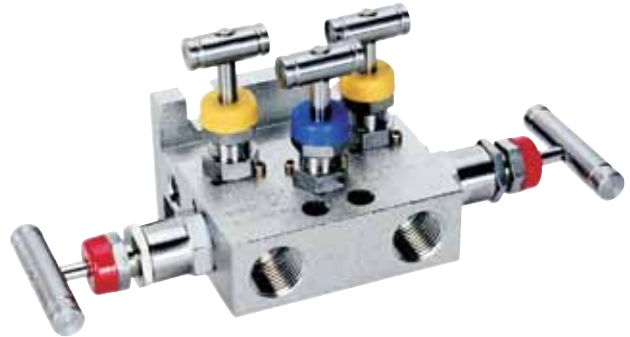


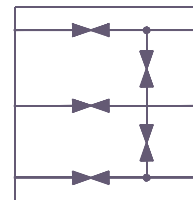
Valve Manifold

5 Valve Manifold-Pipe to Flange

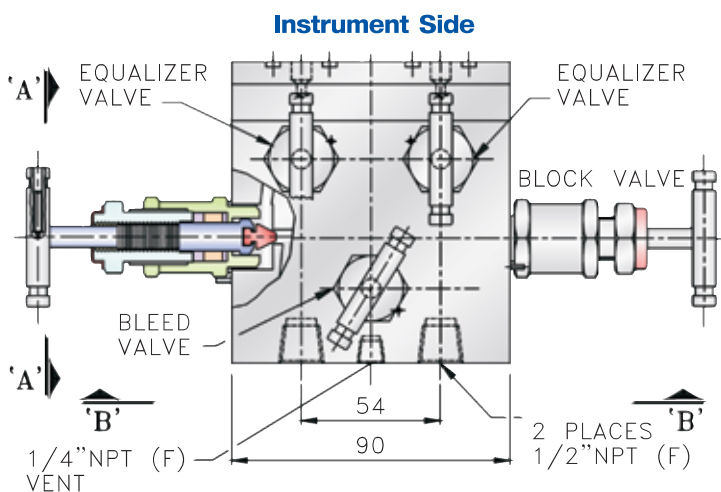
ChemOil 5 Valve Manifold Pipe to Flange design for connecting system impulse lines and transmitters. This valve consist Pipe to Flange connections with Teflon/ Viton O-Ring packing on 54 mm. (2-1/8") centres to suit the inlet connection. This Valve provides two instrument isolating valves, Two equalizer valves and One bleed valve. (For Testing).



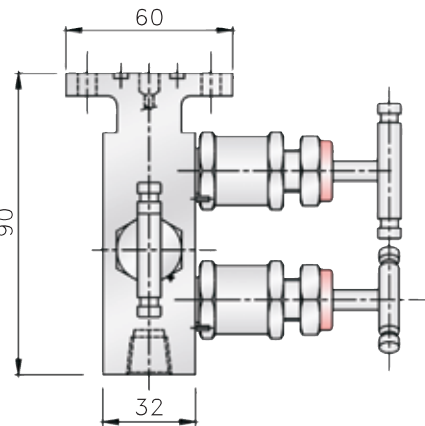
View "BB"



SCHEMATIC



**Process Side
PLAN**



View "AA"

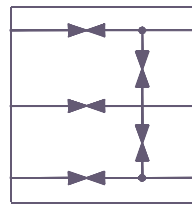
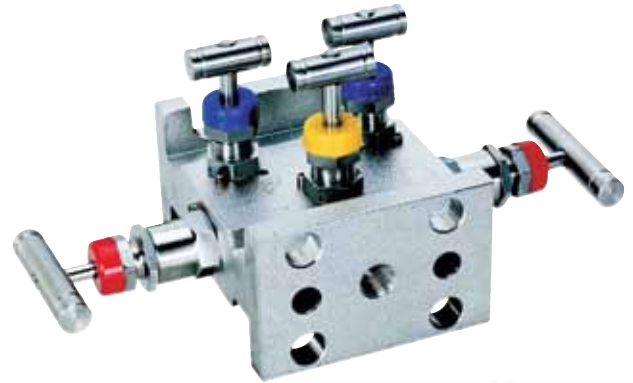
All dimensions are in millimeters unless otherwise specified. Dimensions are for reference only, subject to change.

Another Quality Product By: Unique Valves & Instrumentation.

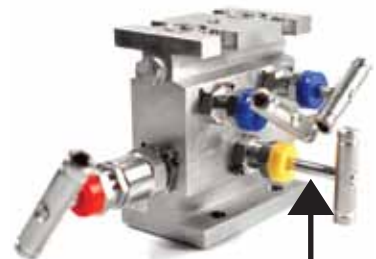
Valve Manifold

5 Valve Manifold-Flange to Flange

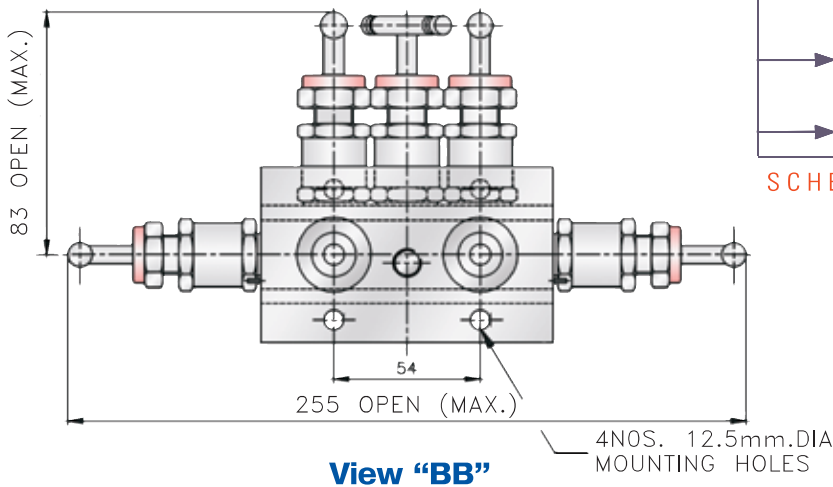
ChemOil 5 Valve Manifold Flange to Flange design for connecting system impulse lines and transmitters. This valve consists of two Flange connections with Teflon/Viton O-Ring packing on 54 mm. (2-1/8") centres to suit the inlet connection. This Valve provides two instrument isolating valves, Two equalizer valves and One bleed valve. (For Testing).



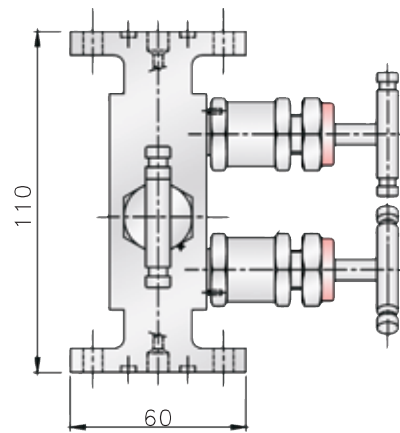
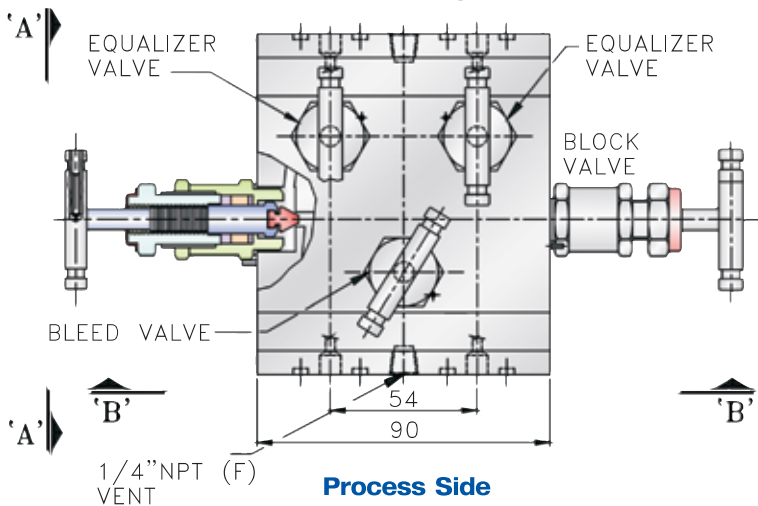
SCHEMATIC



Extended Vent Valve Handle Available!



Instrument Side



All dimensions are in millimeters unless otherwise specified. Dimensions are for reference only, subject to change.

Another Quality Product By: Unique Valves & Instrumentation.