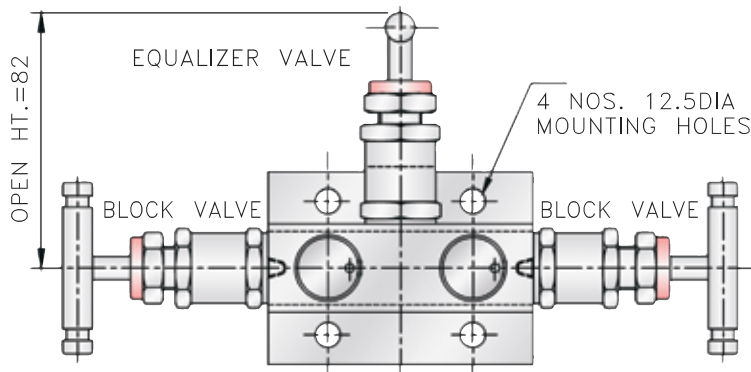
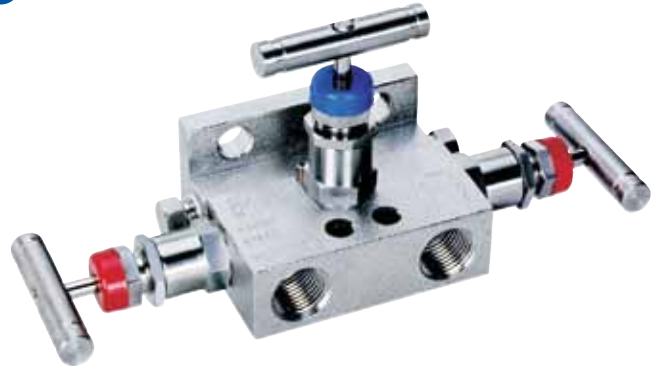


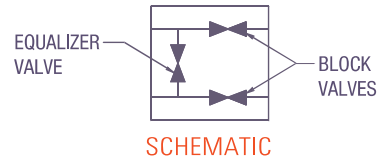
Valve Manifold

3 Valve Manifold-Pipe to Flange

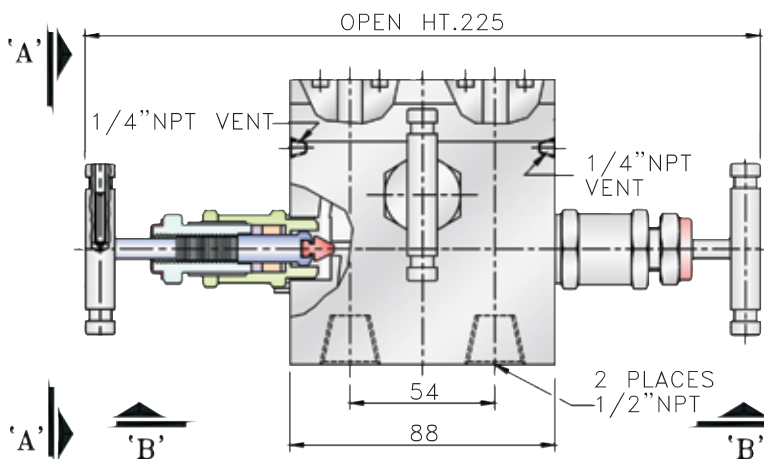
ChemOil 3 Valve Manifold Pipe to Flange design for connecting system impulse lines and transmitters. This valve consist of 1/2" NPT Female connections on 54 mm. (2-1/8") centres and of one equalizer valve and two block valves. 1/4" NPT purge connections (2) optional.



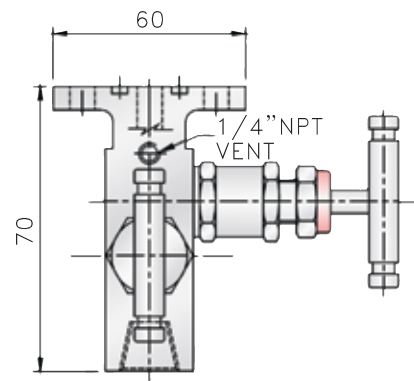
View "BB"



Instrument Side



Process Side
PLAN



View "AA"

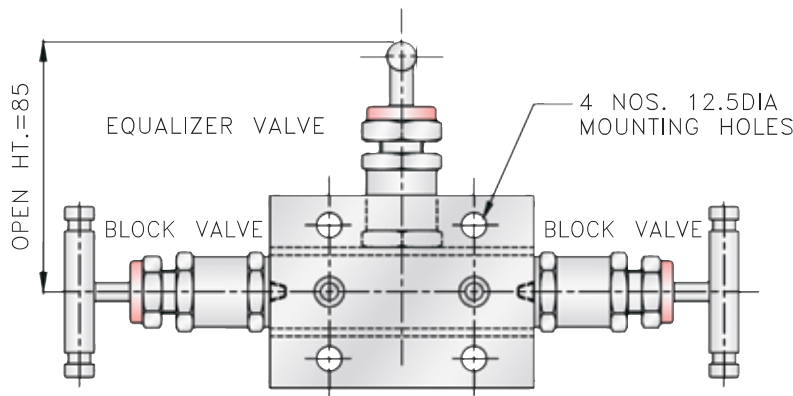
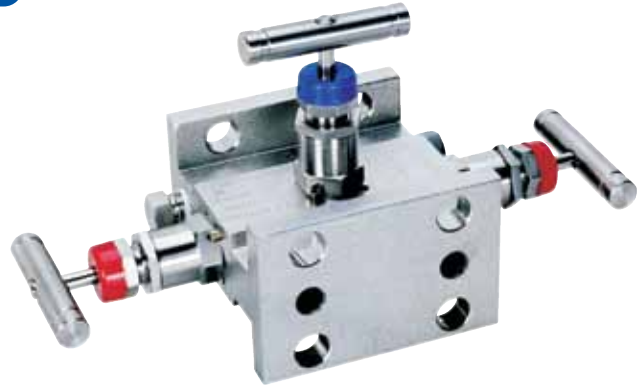
All dimensions are in millimeters unless otherwise specified. Dimensions are for reference only, subject to change.

Another Quality Product By: Unique Valves & Instrumentation.

Valve Manifold

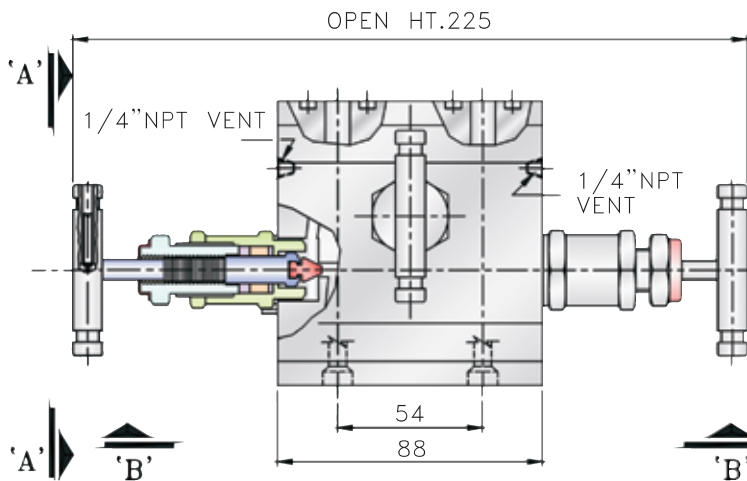
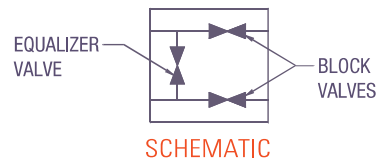
3 Valve Manifold-Flange to Flange

ChemOil 3 Valve Manifold Flange to Flange design for connecting system impulse lines and transmitters. This valve consists of Flange to Flange connections on 54 mm. (2-1/8") centres and one equalizer valve and two block valves.

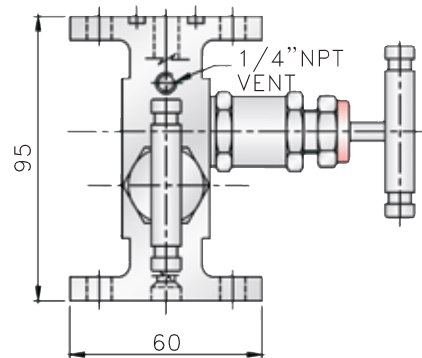


View "BB"

Instrument Side



Process Side
PLAN



View "AA"

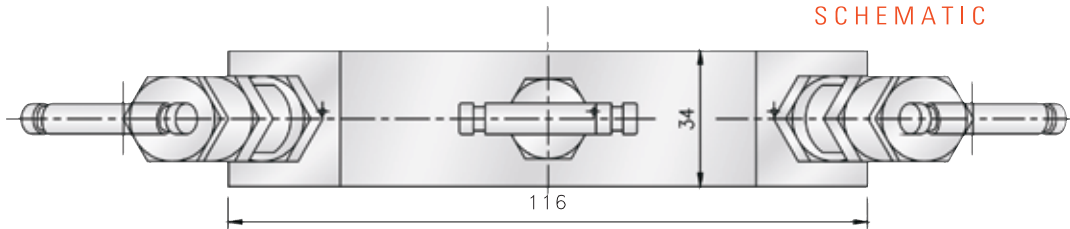
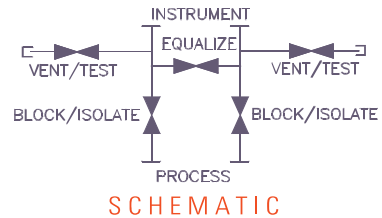
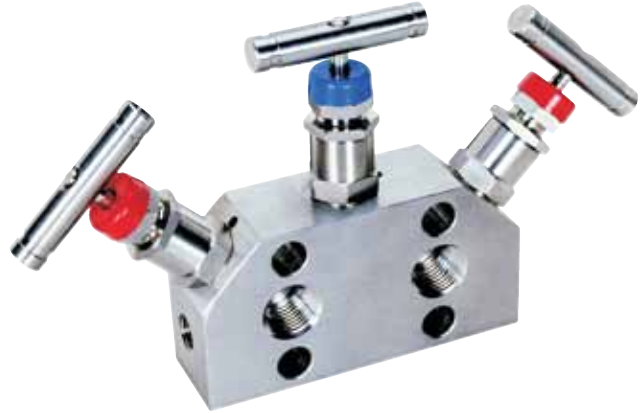
All dimensions are in millimeters unless otherwise specified. Dimensions are for reference only, subject to change.

Another Quality Product By: Unique Valves & Instrumentation.

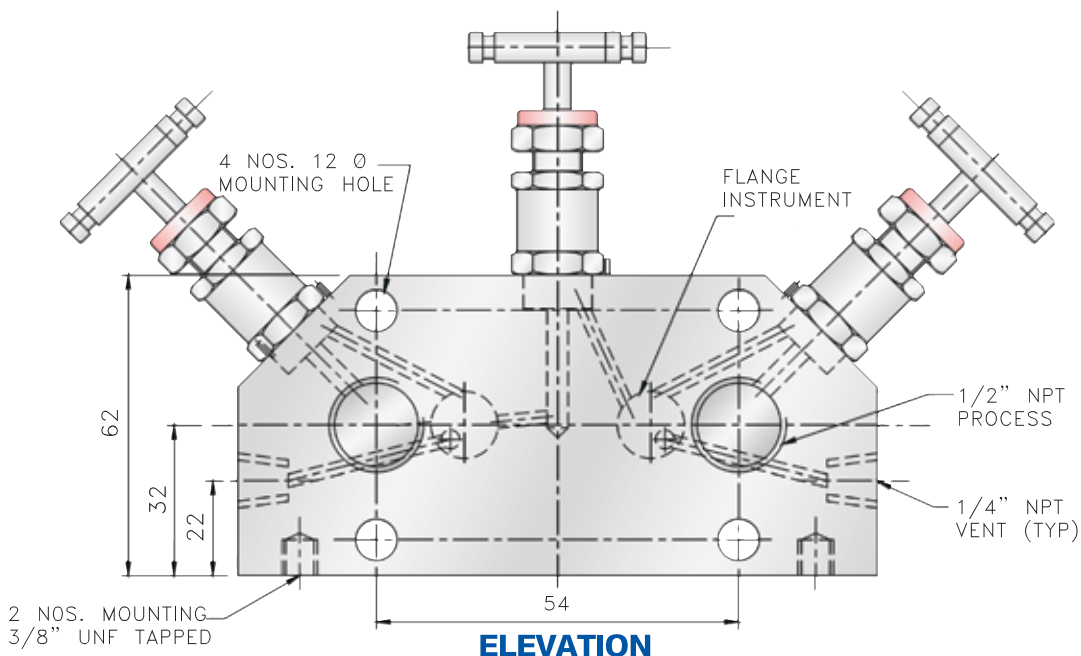
Valve Manifold

3 Valve Manifold-Direct Mount

ChemOil 3 Valve Manifold Pipe to Flange, base mount connection design for connecting system impulse lines and transmitters. This valve consists of 1/2" NPT Female connections on 54 mm. (2-1/8") centres and one equalizer valve and two block valves.



PLAN



ELEVATION

All dimensions are in millimeters unless otherwise specified. Dimensions are for reference only, subject to change.

Another Quality Product By: Unique Valves & Instrumentation.