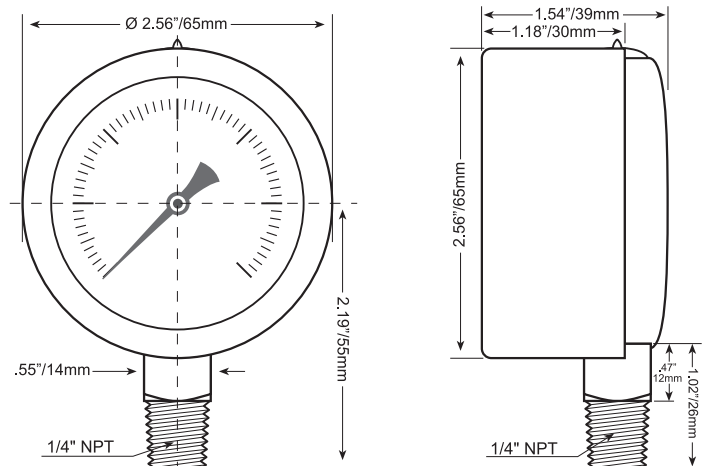


Forged Brass Case Liquid filled Gauges

601L-254

Applications:

601 Series liquid fillable gauges is made of one piece solid brass body and connection. It is intended for adverse service conditions where high pulsating or vibration exists. It is suitable for all gaseous and liquid media that not obstruct the pressure system or attack copper alloy parts. It is mainly used in mining industry, hydraulic and shipping industry.



Specification:

Model: 601L-254

Dial size: 2.5"/63mm

Case: Solid Forged Brass with integral entry connection

Bezel: 304 stainless steel crimped ring, with gold cover

Oil Cap: Blow out plug

Window: Clear Acrylic

Dial: Aluminum, white background, black figures & graduations

Pointer: Aluminum, black finish

Bourdon Tube: Copper alloy

Movement: Brass

Connection: Integral with case, lower mount, 1/4" NPT male, G1/4" BSP

Execution: Glycerin

Accuracy: +/-1.6% of span,

Range: Vacuum to 6000psi

Operating Temperature: Ambient: -40+140°F, Medium: +140°F Max / -40+60°C, Medium: +60°C Max

How to order: Model/Pressure Range
See last page in gauge section

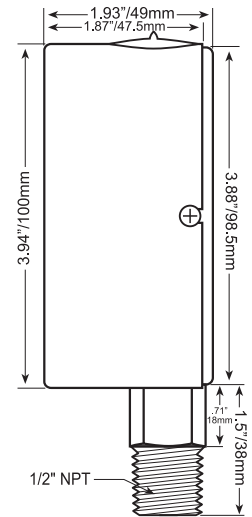
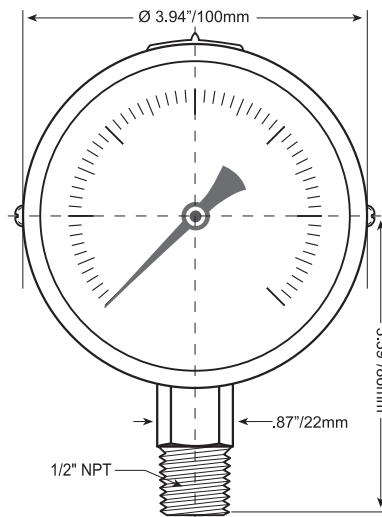


Forged Brass Case Liquid filled Gauges

601L-402

Applications:

601 Series liquid fillable gauges is made of one piece solid brass body and connection. It is intended for adverse service conditions where high pulsating or vibration exists. It is suitable for all gaseous and liquid media that not obstruct the pressure system or attack copper alloy parts. It is mainly used in mining industry, hydraulic and shipping industry.



Specification:

Model: 601L-402

Dial size: 4"/100mm

Case: Solid Forged Brass with integral entry connection

Bezel: 304 stainless steel crimped ring, with chrome plated copper cover

Oil Cap: Blow out plug

Window: Clear Acrylic

Dial: Aluminum, white background, black figures & graduations

Pointer: Aluminum, black finish

Bourdon Tube: Copper alloy

Movement: Brass

Connection: Integral with case, lower mount, 1/2" NPT male, G1/2" BSP

Execution: Glycerin

Accuracy: +/-1.0% of span,

Range: Vacuum to 6000psi

Operating Temperature: Ambient: -40+140°F, Medium: +140°F Max / -40+60°C, Medium: +60°C Max

How to order: Model/Pressure Range
See last page in gauge section