



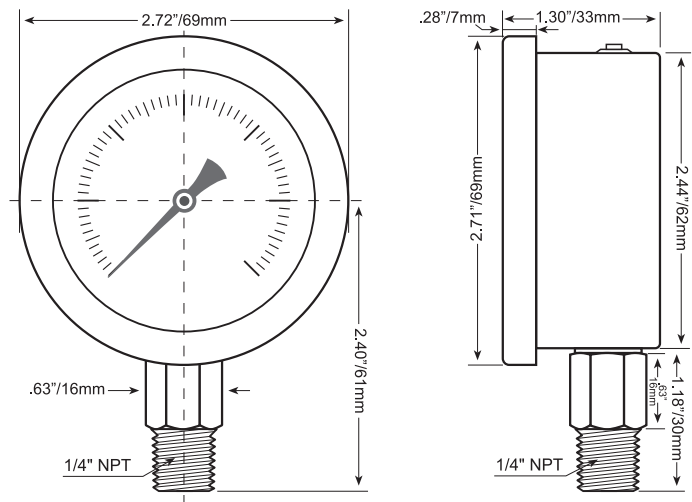
Liquid Fillable Gauges

200L-254/200D-254

Applications:

200 series liquid fillable gauges are designed for industrial applications requiring damping.

200 series is suitable for gases and liquids that do not attack the brass measuring system.



Specification:

Model: 200L-254 or 200D-254

Dial size: 2.5"/63mm

Case: 304 Stainless Steel

Bezel: 304 Stainless Steel crimped ring

Oil Cap: Blow out plug

Window: Polycarbonate, Glass optional

Dial: Dished Aluminum, white background, black figures & graduations

Pointer: Aluminum, black finish

Bourdon Tube: Phosphor Bronze

Movement: Brass

Connection: Brass, lower mount, 1/4" NPT male, G1/4" BSP

Execution: 200L-254 fill Glycerin, 200D-254 dry but fillable

Accuracy: +/-1.6% of span

Range: Vacuum to 6000psi

Operating Temperature: Ambient: -40+140°F,

Medium: +140°F Max / -40+60°C, Medium: +60°C Max

How to order: Model/Pressure Range
See last page in gauge section



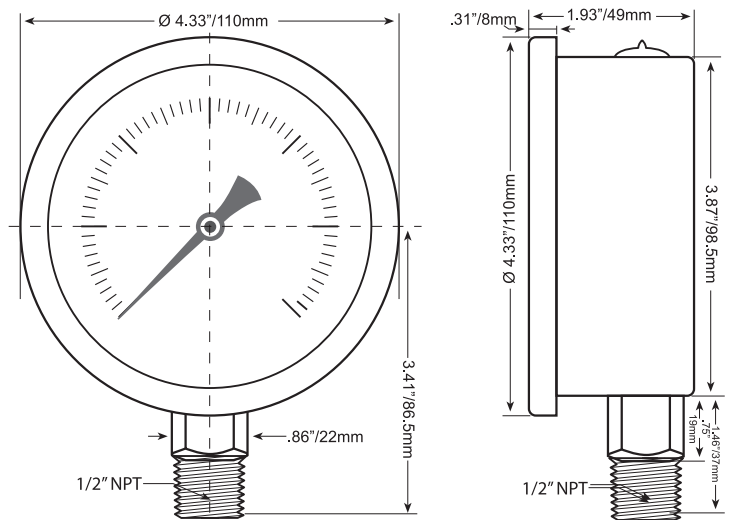
Liquid Fillable Gauges

200L-402/200D-402

Applications:

200 Series liquid fillable gauges are designed for industrial applications requiring damping.

200 series is suitable for gases and liquids that Do not attack the brass measuring system.



Specification:

Model: 200L-402 or 200D-402

Dial size: 4"/100mm

Case: 304 Stainless Steel

Bezel: 304 Stainless Steel crimped ring

Oil Cap: Blow-out plug

Window: Polycarbonate

Dial: Dished Aluminum, white background, black figures & graduations

Pointer: Aluminum, black finish

Bourdon Tube: Phosphor Bronze

Movement: Brass, with Brass, with underload/overload stops

Connection: Brass in one piece, lower mount, 1/2" NPT male, G1/2" BSP

Execution: 200L-402 fill Glycerin, 200D-402 dry but fillable

Accuracy: +/-1.0% of span

Range: vacuum to 6000psi

Operating Temperature: Ambient: -40+140°F

Medium: +140°F Max / -40+60°C, Medium: +60°C Max

How to order: Model/Pressure Range

(Pressure Range: See Page:)



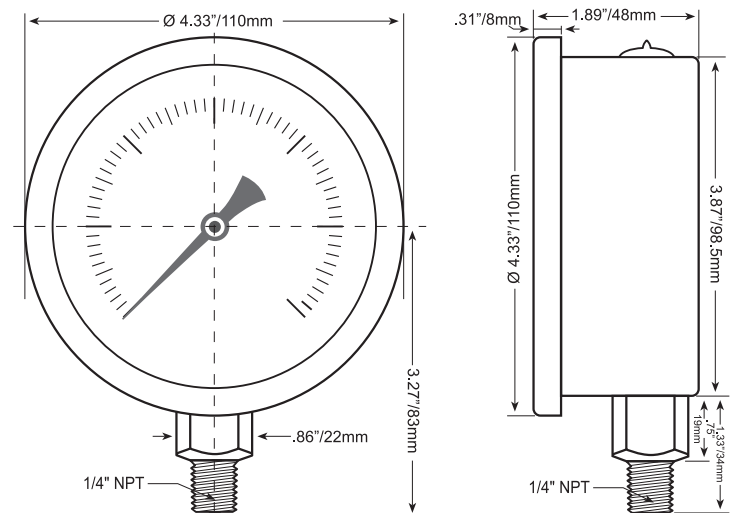
Liquid Fillable Gauges

200L-404/200D-404

Applications:

200 Series liquid fillable gauges are designed for industrial applications requiring damping.

200 series is suitable for gases and liquids that Do not attack the brass measuring system.



Specification:

Model: 200L-404 or 200D-404

Dial size: 4" / 100mm

Case: 304 Stainless Steel

Bezel: 304 Stainless Steel crimped ring

Oil Cap: Blow out plug

Window: Polycarbonate

Dial: Dished Aluminum, white background, black figures & graduations

Pointer: Aluminum, black finish, micro-adjustable

Bourdon Tube: Phosphor Bronze

Movement: Brass, with underload/overload stops

Connection: Brass in one piece, lower mount, $1/4"$ NPT male, G $1/4"$ BSP

Execution: 200L-404 fill Glycerin, 200D-404 dry but fillable

Accuracy: $\pm 1.0\%$ of span

Range: Vacuum to 6000psi

Operating Temperature: Ambient: $-40+140^{\circ}\text{F}$

Medium: $+140^{\circ}\text{F Max} / -40+60^{\circ}\text{C}$, Medium: $+60^{\circ}\text{C Max}$

How to order: Model/Pressure Range

(Pressure Range: See Page:)