

BRASS LEVER GATE VALVE

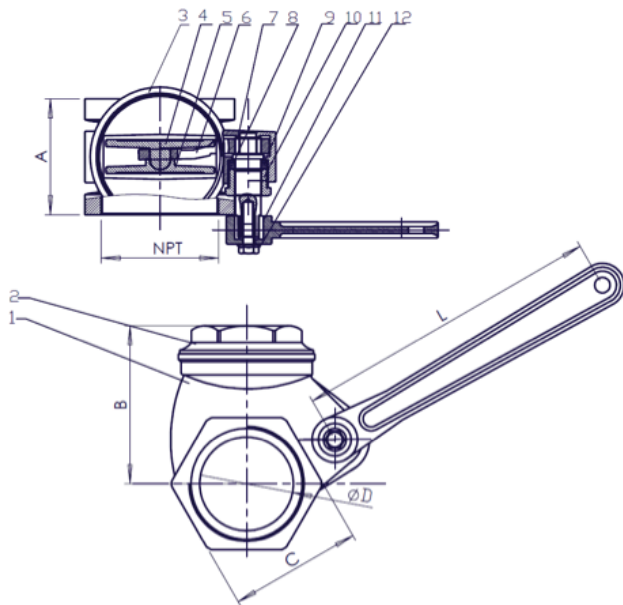
4000GL Series



Specification:

BRASS LEVER GATE VALVE / 4000GL Series:

- Made specifically for the liquid waste industry.
- All-brass construction—proven reliability at an affordable price.
- The industry standard for lever action valves.
- Pressure Rating -230 PSI WOG, cold, Non-Shock.
- Female NPT Thread x Female NPT Thread
- Lever action may be used for throttling product flow



Bill Of Material:

Sr. No	Part Name	QTY	Material
1	Body	1	HPb59-3
2	Bonnet	1	HPb59-4
3	Bonnet Gasket	1	NBR
4	Brass Disc	1	HPb59-3
5	Brass Disc	1	HPb59-4
6	Rotating Stem	1	HPb59-5
7	Stem	1	HPb59-6
8	Pad	1	HPb59-7
9	Gasket	1	Graphite
10	Cap	1	HPb59-6
11	Handle	1	HPb59-6
12	Galvanized Screw	1	Q235

Dimensions:

Size	A	B	C	D	L	THREAD
2"	3.03	3.31	2.62	1.85	6.38	2-11.5 NPT
3"	3.4	4.65	3.89	2.75	9.09	3 - 8 NPT
4"	3.66	5.91	4.8	3.62	9.09	4 - 8 NPT
6"	3.66	9.41	6.93	5.67	9.09	6 - 8 NPT

* Due to the continuous development of our products, design or construction may change without prior notice.