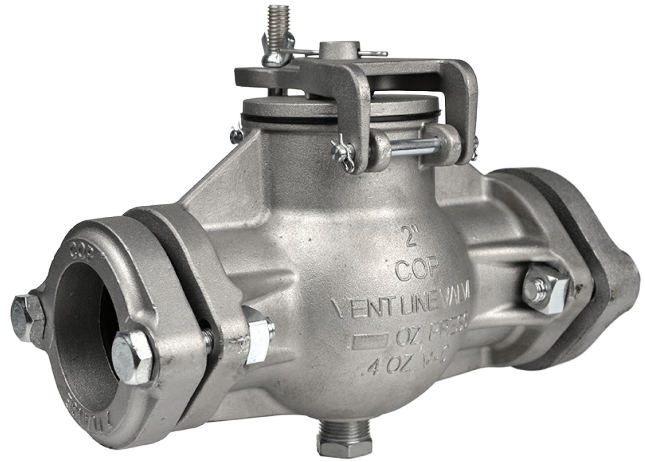


IN-LINE VENT VALVES



Specification:

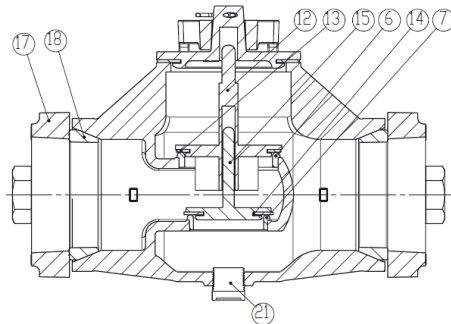
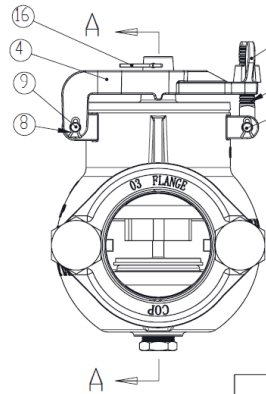
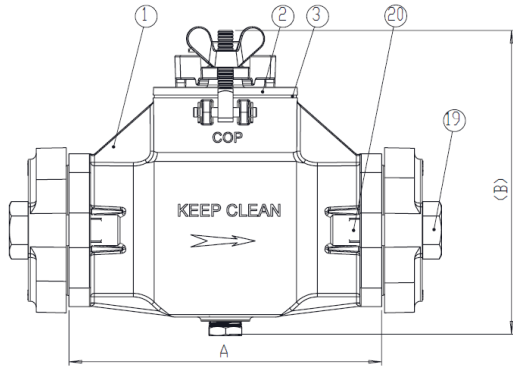
In-Line Vent Valve

The In-line vent valve works in cooperation with a thief hatch to minimize the escape of light ends of crude in storage by maintaining a pressure on the tank. A vacuum relief function is also standard to prevent suction or draw down from collapsing the tank. The In-line vent valve is installed directly into the vent line exhaust to achieve safe In/Out breathing of the tank. • The material for Frac Fittings conforms to the requirements of DI 65-45-12.

- Complete high-tensile-strength aluminum body, lid, and flange.
- All internal working components are made of superior plastic material with the operating range from -50°F to 500°F.
- Full-opening lid and large body cavity for easy clean-out and maintenance.
- Slip-in pressure seat for easy replacement in the shop or the field - vacuum seat replacement is even easier.
- Internal plunger with a built-in vacuum breaker for the pressure-vacuum valve.
- Available in 2" & 3" slip-on flanges with standard settings of 1.5 oz pressure and 0.4 oz vacuum with additional weights available in 1-oz increments.

* Due to the continuous development of our products, design or construction may change without prior notice.

IN-LINE VENT VALVES



| | | | |
|-------|------------------|----------|------|
| 21 | Plug | Steel | 1 |
| 20 | Square nut | Steel | 4 |
| 19 | Bolt 1/2-13 | Steel | 4 |
| 18 | 3" Flange gasket | Buna | 2 |
| 17 | 3" Flange | ZL 102 | 2 |
| 16 | Pin 3X65 | Steel | 1 |
| 15 | Vacuum disc | PPS | 1 |
| 14 | Vacuum gasket | Buna | 1 |
| 13 | Pressure Gasket | Buna | 1 |
| 12 | Pressure disc | PPS | 1 |
| 11 | Wing Nut 1/2 | Steel | 1 |
| 10 | Al bolt | 1060 | 1 |
| 9 | Pin | Steel | 1 |
| 8 | Retainer clip | Steel | 4 |
| 7 | Vacuum seat | PPS | 1 |
| 6 | Pressure seat | PPS | 1 |
| 5 | Pin | Steel | 1 |
| 4 | Cap | ZL 102 | 1 |
| 3 | Cap Gasket | Buna | 1 |
| 2 | Cap | ZL 102 | 1 |
| 1 | Valve Body | ZL 102 | 1 |
| Ser # | Part Name | Material | Qty. |

Vent Setting Range:

| Model No. | Size | Pressure | Vacuum |
|-----------|------|--|---------------|
| 2X2IVV | 2" | 1.0 to 16.0 oz/sq.in. (0.5 Increments) | 0.4 oz/sq.in. |
| 3X3IVV | 3" | | |

Dimension

Dimensions (IN)

| Model No. | Size | A | B |
|-----------|------|-------|------|
| 2X2IVV | 2" | 8.65 | 8.18 |
| 3X3IVV | 3" | 10.25 | 16.5 |