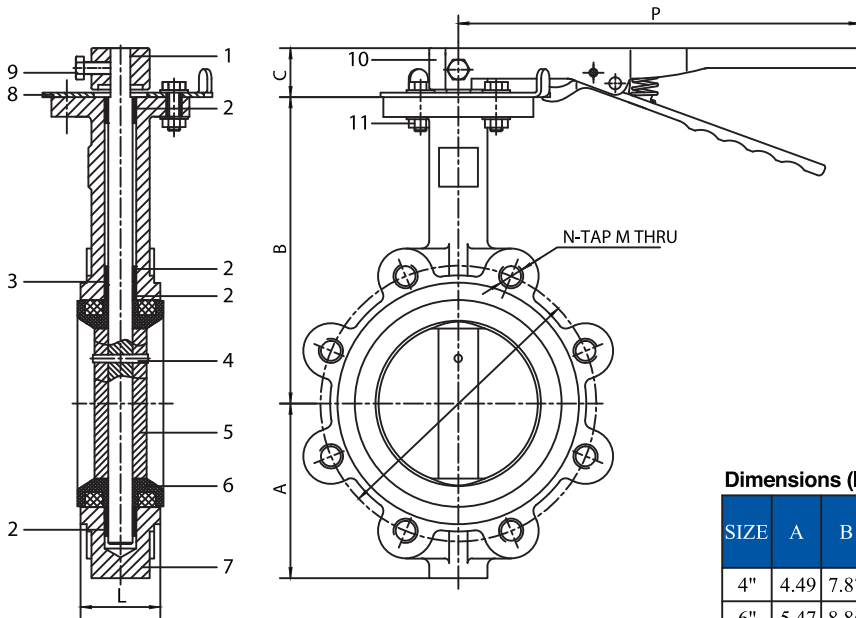


# LONG NECK BUTTERFLY VALVE

## 2014 DLNB-L SERIES



### Specification:



11	Bolt & Nut	Carbon Steel
10	Lever	Malleable cast iron
9	Locking Screw	Carbon steel
8	Locking Plate	Carbon steel
7	Body	CI
6	Seat	BUNA-N
5	Disc	Nickel plated DI, SS316
4	Taper Pin	SS316
3	O-Ring	BUNA-N
2	Bushing	PTFE
1	Stem	SS410
Item	Description	Material

SIZE	TORQUES (N.M)				
	0.4MPa	0.6MPa	1.0MPa	1.4MPa	1.6MPa
4"	45.8	51.0	56.4	61.6	64.8
6"	94.6	109.2	123.8	138.3	147.8
8"	167.6	187.0	206.6	226.1	240.0
10"	264.2	296.1	328.0	359.8	380.1
12"	406.1	442.0	478.1	513.8	538.0

### 2014 DLNB-L

- 4"
- 6"
- 8"
- 10"
- 12"

### Dimensions (IN)

SIZE	A	B	C	H	I	K	ANSI 125		L	P	T	W
							E	N-TAP M				
4"	4.49	7.87	1.10	3.54	2.76	0.37	7.50	8- <sup>5</sup> / <sub>8</sub> -11	2.05	10.24	0.63	0.47
6"	5.47	8.86	1.10	3.54	2.76	0.37	9.50	8- <sup>3</sup> / <sub>4</sub> -10	2.20	10.24	0.75	0.55
8"	6.97	10.24	1.50	4.92	4.02	0.45	11.75	8- <sup>3</sup> / <sub>4</sub> -10	2.36	14.17	0.88	0.67
10"	7.99	11.50	1.50	4.92	4.02	0.45	14.25	12- <sup>7</sup> / <sub>8</sub> -9	2.60	14.17	1.13	0.87
12"	9.53	13.27	1.50	4.92	4.02	0.45	17.00	12- <sup>7</sup> / <sub>8</sub> -9	3.03	14.17	1.25	0.87

### ENGINEER APPROVAL

JOB: \_\_\_\_\_ DATE: \_\_\_\_/\_\_\_\_/\_\_\_\_

MEETS DIMENSIONAL SPECIFICATIONS:  YES  NO

MEETS MATERIAL SPECIFICATIONS:  YES  NO

MEETS PRESSURE / TEMPERATURE SPECIFICATIONS:  YES  NO

NOTES: \_\_\_\_\_

ENGINEER NAME: \_\_\_\_\_

ENGINEER SIGNATURE: \_\_\_\_\_

\* Due to the continuous development of our products, design or construction may change without prior notice.