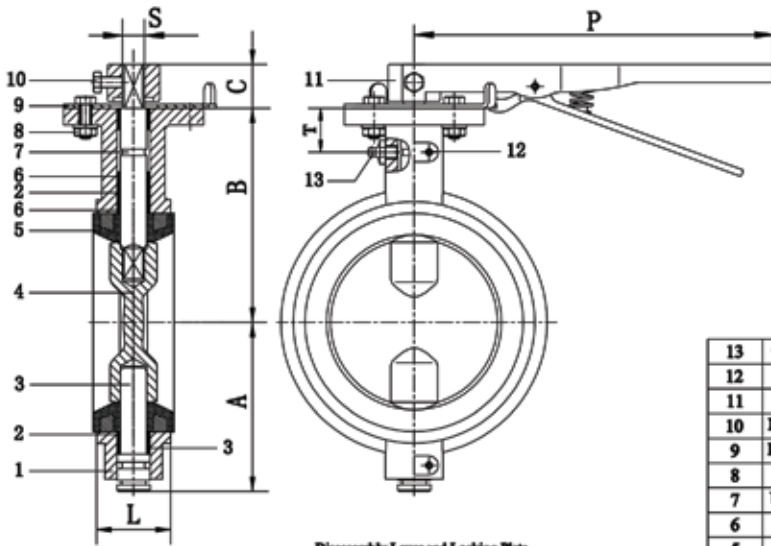
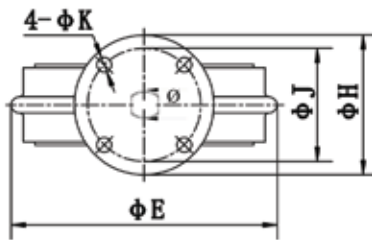


DUCTILE X STAINLESS BUTTERFLY VALVE

200 PSI SERIES: 2014DWR



Disassembly Lever and Locking Plate



13	Groove fitting	SS, Bronze	For 6" to 12"
12	Spring Pin	Carbon Steel	
11	Lever	Malleable cast iron	
10	Locking Bolt	Carbon Steel	
9	Locking Plate	Carbon Steel	
8	Bolt & nut	Carbon Steel	
7	Upper Stem	SS410, SS416, SS304, SS316,	
6	Bushing	PTFE	
5	Seat	NBR, EPDM	
4	Disc	Nickel plated DI, CF8, CF8M, C95400	
3	Lower Stem	SS410, SS416, SS304, SS316	
2	O-Ring	NBR, EPDM	
1	Body	CI, DI	
Item	Description	Material	Remark

NPS	A	B	C	E	H	J	K	L	S	P	T	ø
2"	2.99	3.94	1.26	4.13	4.00	3.25	0.44	1.65	0.39	10.23		0.5
2 1/2"	3.35	4.61	1.26	4.88	4.00	3.25	0.44	1.77	0.39	10.23		0.5
3"	3.66	4.92	1.26	5.37	4.00	3.25	0.44	1.77	0.39	10.23		0.5
4"	4.29	6.02	1.26	6.87	4.00	3.25	0.44	2.05	0.47	10.23		0.625
5"	4.84	6.14	1.26	7.75	4.00	3.25	0.44	2.13	0.55	10.23		0.75
6"	5.35	6.69	1.26	8.75	4.00	3.25	0.44	2.20	0.55	10.23	1.25	0.75
8"	6.54	9.45	1.49	11.00	5.98	5.00	0.56	2.36	0.67	14.00	2.20	0.875
10"	7.83	11.22	1.49	13.37	5.98	5.00	0.56	2.60	0.86	14.00	2.48	1.125
12"	9.37	11.81	1.49	16.13	5.98	5.00	0.56	3.03	0.94	14.00	1.96	1.25

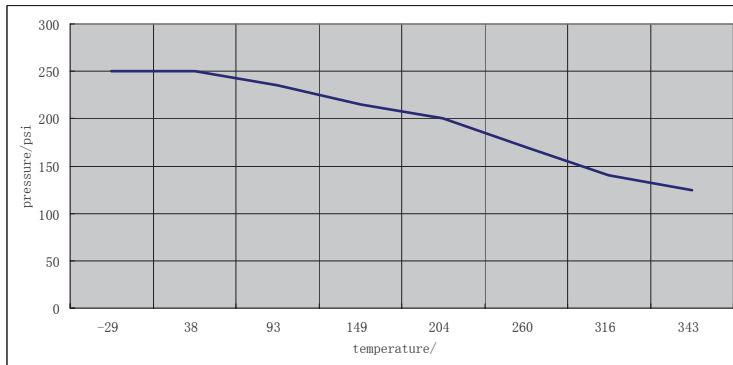
* Due to the continuous development of our products, design or construction may change without prior notice

DUCTILE X STAINLESS BUTTERFLY VALVE

200 PSI SERIES: 2014DWR



Pressure-temperature curve



200PSI Torque

SIZE	Torque(N. m)
2"	19
2.5"	30
3"	39
4"	62
5"	95
6"	138
8"	226
10"	360
12"	514

Flow coefficients

Cv Values(US-GPM @ 1/P)

Size	10°	20°	30°	40°	50°	60°	70°	80°	90°
2"	0.06	3	7	15	27	44	70	105	115
2.5"	0.1	6	12	25	45	75	119	178	196
3"	0.2	9	18	39	70	116	183	275	302
4"	0.3	17	36	78	139	230	364	546	600
5"	0.5	29	61	133	237	392	620	930	1022
6"	0.8	45	95	205	366	605	958	1437	1579
8"	2	89	188	408	727	1202	1903	2854	3136
10"	3	151	320	694	1237	2049	3240	4859	5340
12"	4	234	495	1072	1911	3162	5005	7507	8250