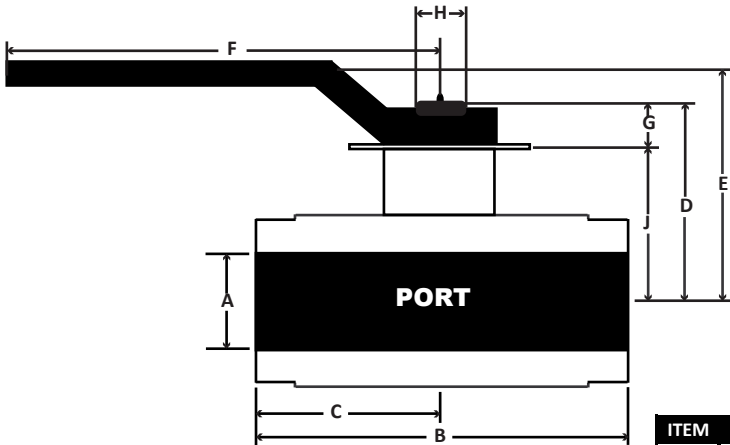
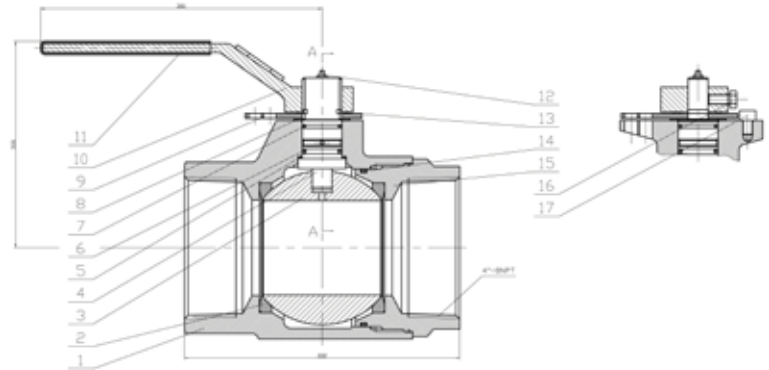
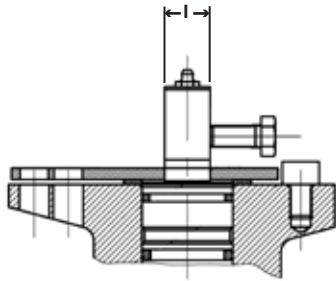


2 PIECE THREADED FLOATING BALL VALVE SERIES: CSTBV & DITBV NACE MR0175



DIMENSIONS

| | 1" | 2" RP | 2" FP | 3" RP | 4" RP |
|---|----------|----------|---------|---------|--------|
| A | 1 | 1 1/2" | 2 | 2 | 3" |
| B | 4 | 5 1/2" | 6 | 7 5/16" | 8 3/4" |
| C | 2 | 2 3/4" | 3 | 4 1/8" | 4 3/8" |
| D | 2 7/16" | 3 11/16" | 4 1/8" | 4 1/8" | 5 1/2" |
| E | 3 1/16" | 5 9/16" | 6 1/16" | 6 1/16" | 7 1/4" |
| F | 6 1/4" | 8 1/2" | 8 1/2" | 8 1/2" | 15" |
| G | 9/16" | 3/4" | 3/4" | 3/4" | 1" |
| H | .622" | .872" | .872" | .872" | 1.246" |
| I | .371" | 0.558" | 0.558" | 0.558" | 0.619" |
| J | 1 23/32" | 2 5/8" | 3 1/16" | 3 1/16" | 4" |

MATERIAL LIST

DUCTILE IRON

| ITEM | Name | Material |
|------|----------------|-------------------|
| 1 | Body | ASTM A395 |
| 2 | Seat | RPTFE |
| 3 | Ball | ASTM A492 TYPE304 |
| 4 | Stem | ASTM A276 YYPE410 |
| 5 | Body seal | PTFE |
| 6 | O-ring 1 | BUNA-N |
| 7 | O-ring 2 | BUNA-N |
| 8 | Stem parking | PTFE |
| 9 | Travel stop | ASTM A570GrA |
| 16 | Hex Bolt | Carbon steel |
| 10 | Lever | Lever |
| 12 | Grease Fitting | Copper |
| 11 | Handle sleeve | Plastic |
| 14 | O-Ring | BUNA-N |
| 15 | End Cap | ASTM A395 |
| 13 | Lock Washer | ASI 1066 |
| 17 | Valve Stop | ASTM A29 1035 |

CARBON STEEL

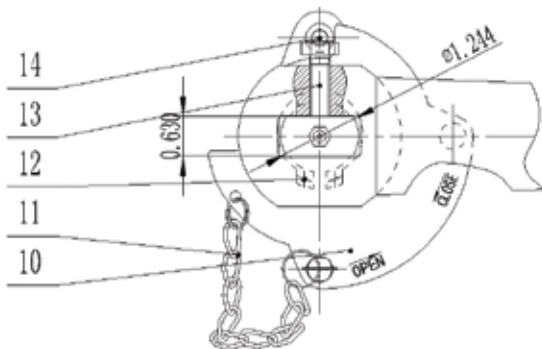
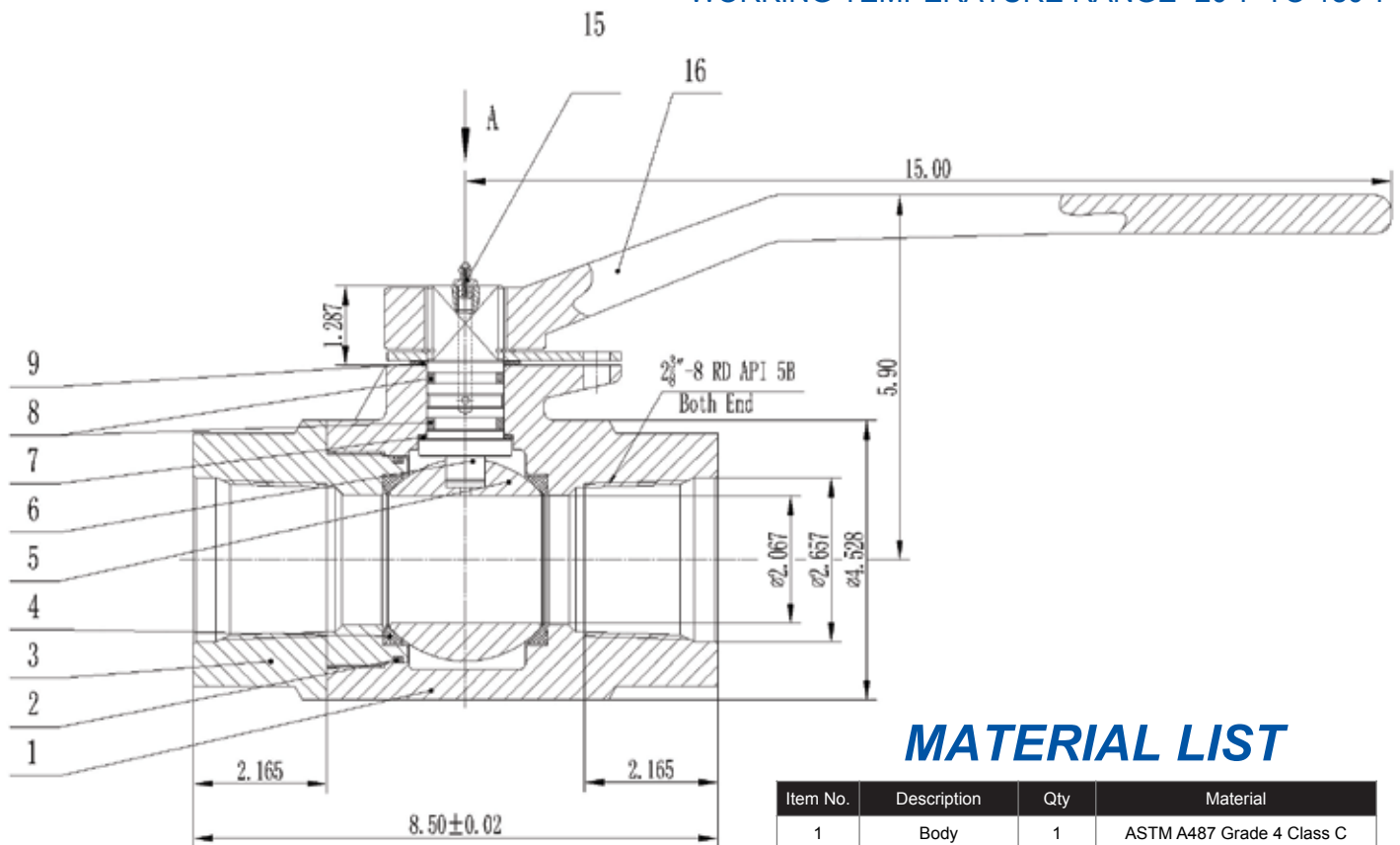
| ITEM | Name | Material |
|------|--------------|-------------------|
| 1 | Body | ASTM A216 WCB |
| 2 | Seat | RPTFE |
| 3 | Ball | ASTM A492 TYPE304 |
| 4 | Stem | ASTM A276 YYPE410 |
| 5 | Body seal | PTFE |
| 6 | O-ring | BUNA-N |
| 7 | O-ring 1 | BUNA-N |
| 8 | Stem parking | PTFE |
| 9 | Travel stop | ASTM A570GrA |
| 10 | Lever | Zinc Plated Steel |
| 11 | Lever sleeve | Plastic |
| 12 | Oil cup | Copper |
| 13 | Lock washer | AISI 1066 |
| 14 | O-ring | BUNA-N |
| 15 | End cap | ASTM A216 WCB |
| 16 | Hex Bolt | Carbon steel |
| 17 | Valve STOP | ASTM A29 1035 |

8RD BALL VALVE TRC - FULL PORT



2-3/8" Ball Valve

- 3600 W.O.G. (FULL PORT)
- DESIGNED PER ASME B16.34
- CARBON STEEL BODY
- BLOW OUT PROOF STEM
- DELRIN SEAT
- INSPECTION AND TEST:API598
- THREADS CONFORM TO API 5B
- WORKING TEMPERATURE RANGE -20°F TO 180°F



MATERIAL LIST

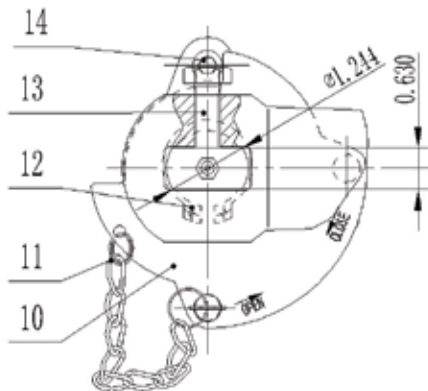
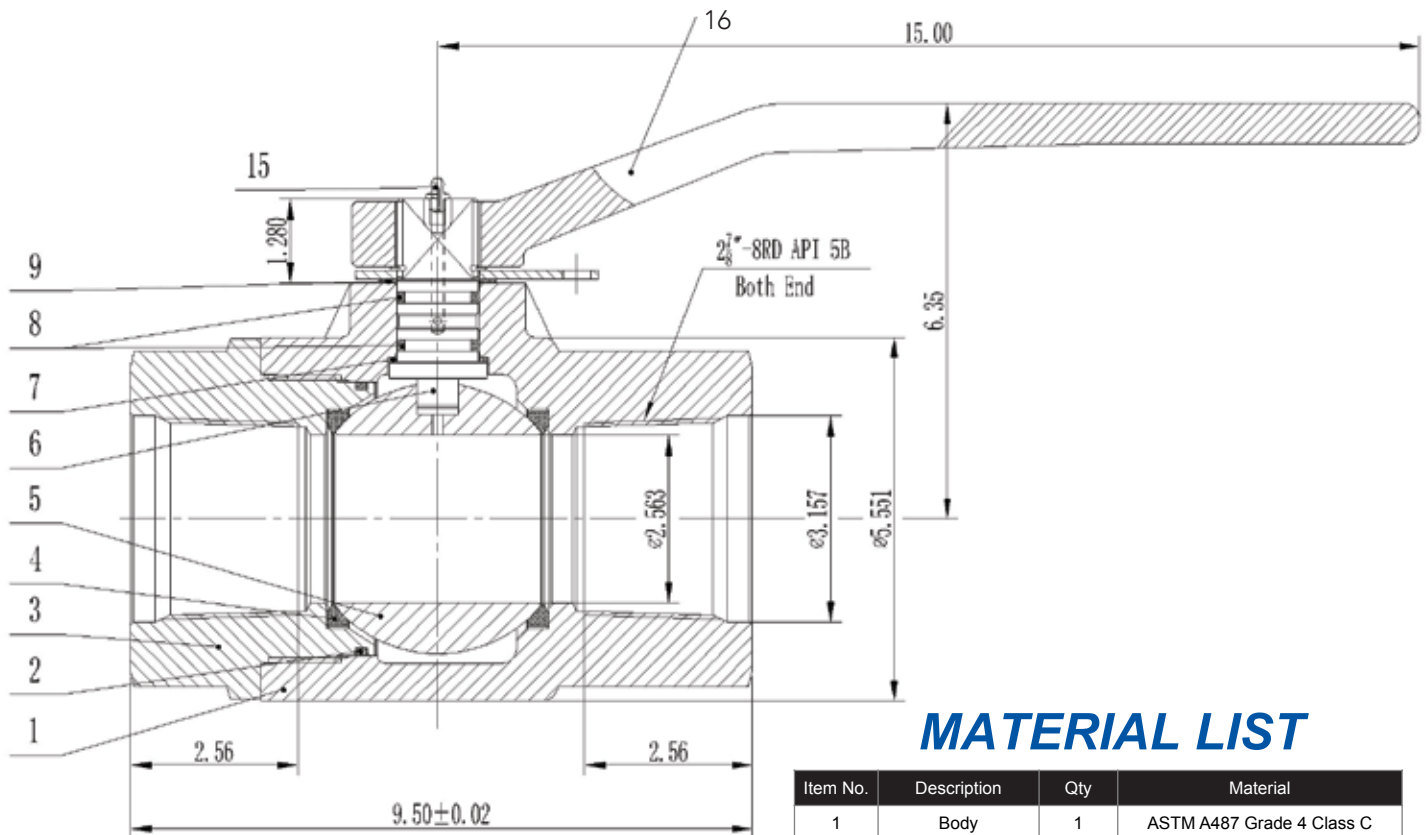
| Item No. | Description | Qty | Material |
|----------|----------------|-----|---------------------------|
| 1 | Body | 1 | ASTM A487 Grade 4 Class C |
| 2 | Body Seal | 1 | Viton B |
| 3 | Adapter | 1 | ASTM A487 Grade 4 Class C |
| 4 | Seat | 2 | Delrin |
| 5 | Ball | 1 | ASTM A276 420 |
| 6 | Stem | 1 | ASTM A276 420 |
| 7 | Thrust Washer | 1 | PTFE |
| 8 | Stem Seal | 2 | Viton B |
| 9 | Gasket | 1 | PTFE |
| 10 | Stop Plate | 1 | Carbon Steel + Ni |
| 11 | Pin Chain Ring | 1 | SS201 |
| 12 | Snap Ring | 1 | Spring Steel |
| 13 | Handle Screw | 1 | Carbon Steel |
| 14 | Stop Screw | 1 | Carbon Steel |
| 15 | Grease Zerk | 1 | Carbon Steel |
| 16 | Handle | 1 | ASTM A536 60-40-18 |

8RD BALL VALVE TRC - FULL PORT



2-7/8" Ball Valve

- 3600 W.O.G. (FULL PORT)
- DESIGNED PER ASME B16.34
- CARBON STEEL BODY
- BLOW OUT PROOF STEM
- DELRIN SEAT
- INSPECTION AND TEST:API598
- THREADS CONFORM TO API 5B
- WORKING TEMPERATURE RANGE -20°F TO 180°F



MATERIAL LIST

| Item No. | Description | Qty | Material |
|----------|----------------|-----|---------------------------|
| 1 | Body | 1 | ASTM A487 Grade 4 Class C |
| 2 | Body Seal | 1 | Viton B |
| 3 | Adapter | 1 | ASTM A487 Grade 4 Class C |
| 4 | Seat | 2 | Delrin |
| 5 | Ball | 1 | ASTM A276 420 |
| 6 | Stem | 1 | ASTM A276 420 |
| 7 | Thrust Washer | 1 | PTFE |
| 8 | Stem Seal | 2 | Viton B |
| 9 | Gasket | 1 | PTFE |
| 10 | Stop Plate | 1 | Carbon Steel + Ni |
| 11 | Pin Chain Ring | 1 | SS201 |
| 12 | Snap Ring | 1 | Spring Steel |
| 13 | Handle Screw | 1 | Carbon Steel |
| 14 | Stop Screw | 1 | Carbon Steel |
| 15 | Grease Zerk | 1 | Carbon Steel |
| 16 | Handle | 1 | ASTM A536 60-40-18 |