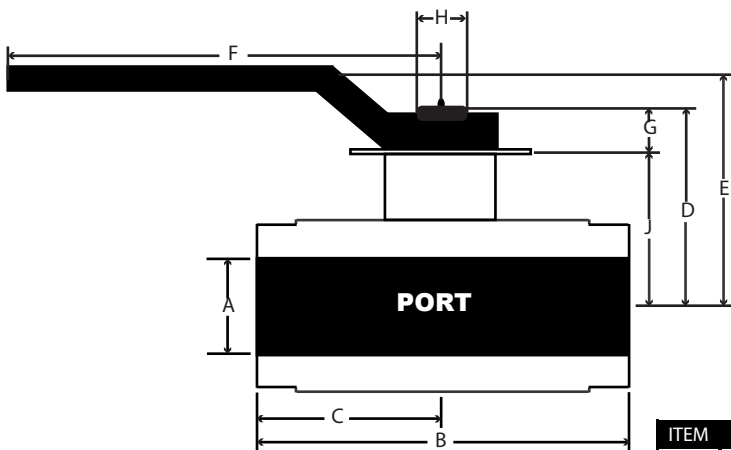
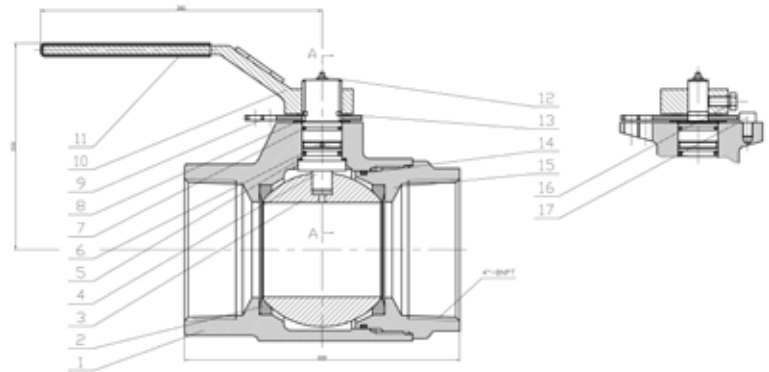
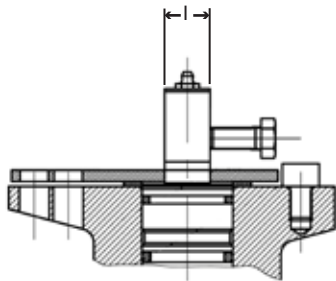


# 2 PIECE THREADED FLOATING BALL VALVE SERIES: CSTBV & DITBV NACE MR0175



### DIMENSIONS

	1"	2" RP	2" FP	3" RP	4" RP
A	1	1 1/2"	2	2	3"
B	4	5 1/2"	6	7 5/16"	8 3/4"
C	2	2 3/4"	3	4 1/8"	4 3/8"
D	2 7/16"	3 11/16"	4 1/8"	4 1/8"	5 1/2"
E	3 1/16"	5 9/16"	6 1/16"	6 1/16"	7 1/4"
F	6 1/4"	8 1/2"	8 1/2"	8 1/2"	15"
G	9/16"	3/4"	3/4"	3/4"	1"
H	.622"	.872"	.872"	.872"	1.246"
I	.371"	0.558"	0.558"	0.558"	0.619"
J	1 23/32"	2 5/8"	3 1/16"	3 1/16"	4"

## MATERIAL LIST

### DUCTILE IRON

ITEM	Name	Material
1	Body	ASTM A395
2	Seat	RPTFE
3	Ball	ASTM A492 TYPE304
4	Stem	ASTM A276 YYPE410
5	Body seal	PTFE
6	O-ring 1	BUNA-N
7	O-ring 2	BUNA-N
8	Stem parking	PTFE
9	Travel stop	ASTM A570GrA
16	Hex Bolt	Carbon steel
10	Lever	Lever
12	Grease Fitting	Copper
11	Handle sleeve	Plastic
14	O-Ring	BUNA-N
15	End Cap	ASTM A395
13	Lock Washer	ASI 1066
17	Valve Stop	ASTM A29 1035

### CARBON STEEL

ITEM	Name	Material
1	Body	ASTM A216 WCB
2	Seat	RPTFE
3	Ball	ASTM A492 TYPE304
4	Stem	ASTM A276 YYPE410
5	Body seal	PTFE
6	O-ring	BUNA-N
7	O-ring 1	BUNA-N
8	Stem parking	PTFE
9	Travel stop	ASTM A570GrA
10	Lever	Zinc Plated Steel
11	Lever sleeve	Plastic
12	Oil cup	Copper
13	Lock washer	AISI 1066
14	O-ring	BUNA-N
15	End cap	ASTM A216 WCB
16	Hex Bolt	Carbon steel
17	Valve STOP	ASTM A29 1035