

# CARBON STEEL HIGH PRESSURE BALL VALVE

## SERIES: 3000 WC



### Specification:

#### Carbon Steel High Pressure Ball Valve - 3,000 PSI

2-Piece Threaded, Full Port ¼" – 2"

- ASTM A216 WCB
- Rating of 3000 CWP
- Tested to API 598
- Locking device handle
- NPT Threaded Ends comply to ANSI B1.20.1
- Blowout proof Ball Valve stem
- Anti-static Ball Valve device
- Mounting pad

### Dimensions:

#### Dimensions and Sizes:

Dimensions	1/4"	3/8"	1/2"	3/4"	1"	1-1/4"	1-1/2"	2"
øD	0.39	0.47	0.50	0.75	1.00	1.25	1.50	2.00
L	3.85	3.85	3.85	4.25	5.39	5.39	6.30	6.30
H	2.32	2.32	2.32	2.60	2.85	3.74	5.15	5.47
W	5.70	5.70	5.70	7.48	7.48	8.66	10.00	10.00
øS	1.42	1.42	1.42	1.65	1.65	1.97	2.76	2.76
SF	0.24	0.24	0.24	0.28	0.39	0.39	0.47	0.59

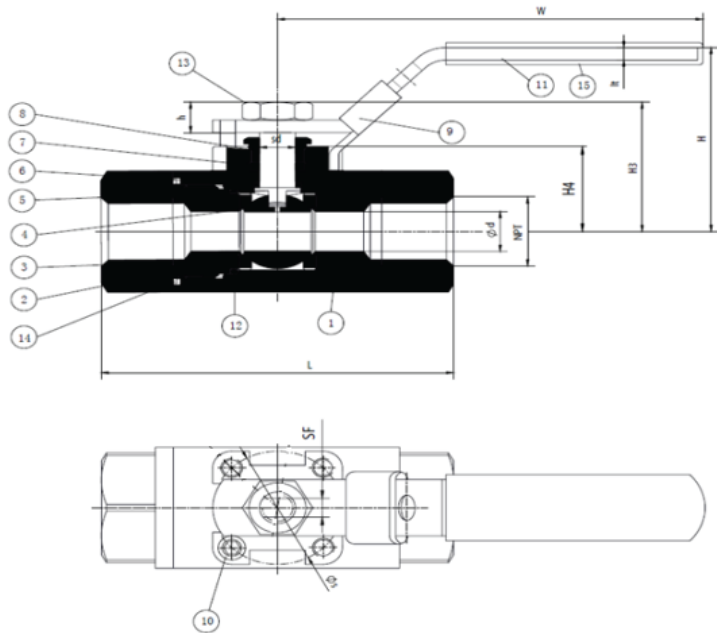
#### Torque:

Size	1/4"	3/8"	1/2"	3/4"	1"	1-1/4"	1-1/2"	2"
Ft-Lbs	11	11	11	16	29.5	40.35	66.33	103.2

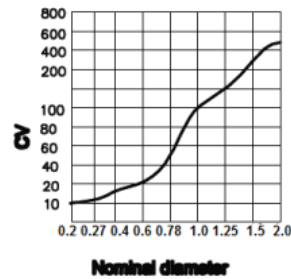
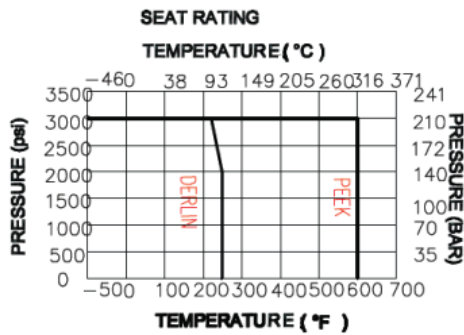
\* Due to the continuous development of our products, design or construction may change without prior notice.

# CARBON STEEL HIGH PRESSURE BALL VALVE

## SERIES: 3000 WC



15	Handle Cover	PVC	1 pc
14	Gasket	Graphite	1 pc
13	Stem Nut	SS	1 pc
12	O-Ring	Viton	1 pc
11	Handle	SS201	1 pc
10	Bolt	SS	1 pc
09	Locking	SS	1 pc
08	Gland	ASTM/A276/SS304	1 pc
07	Packing	Graphite	1 pc
06	Thrust Washer	Delrin	1 pc
05	Stem	ASTM/A276/SS316	1 pc
04	Ball	ASTM/A182/F316	1 pc
03	Seat	Delrin	2 pcs
02	Cap	ASTM/A216/WCB	1 pc
01	Body	ASTM/A216/WCB	1 pc
No.	Part Name	Material	QTY



\* Due to the continuous development of our products, design or construction may change without prior notice.