

1 PIECE CARBON STEEL BALL VALVE

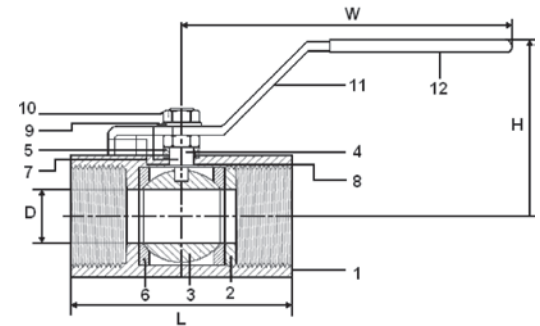
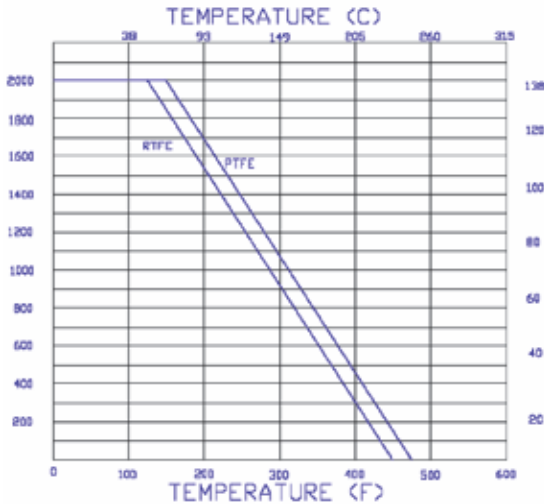
SERIES: 2017C



Specification:

Carbon Steel 1 Piece Ball Valve

- REDUCED PORT
- 2000 W.O.G.
- 1 PIECE BODY
- NACE APPROVED
- BLOW OUT PROOF STEM
- PTFE/RPTFE SEAL AND PACKING
- THREADS CONFORM TO ASME B1.20.1 (NPT)
- NACE MR0175 Compliant



PART	MATERIAL	
1	BODY	ASTM A108
2	RETAINER	ASTM A108
3	BALL	ASTM A351-CF8M
4	STEM	ASTM A276-316
5	GLAND RING	ASTM A108
6	BALL SEAT	PTFE
7	THRUST WASHER	PTFE
8	PACKING	PTFE
9	SPRING WASHER	AISI 304
10	STEM NUT	AISI 304
11	HANDLE	AISI 304
12	HANDLE SLEEVE	PVC

Dimensions and Sizes:

NPS	PART #	D	L	H	W	WEIGHT
1/4"	2017C02	0.20	1.86	1.12	2.40	0.35
3/8"	2017C03	0.28	1.86	1.32	3.39	0.35
1/2"	2017C04	0.35	2.45	2.38	4.33	0.75
3/4"	2017C05	0.49	2.75	2.44	4.33	1.05
1"	2017C06	0.59	3.38	2.63	4.76	2.05
1 1/4"	2017C07	0.79	3.69	3.25	5.75	3.10
1 1/2"	2017C08	0.98	4.00	3.25	5.75	4.00
2"	2017C09	1.26	4.50	3.44	5.98	6.45

* Due to the continuous development of our products, design or construction may change without prior notice.