

# FORGED STEEL GLOBE VALVE

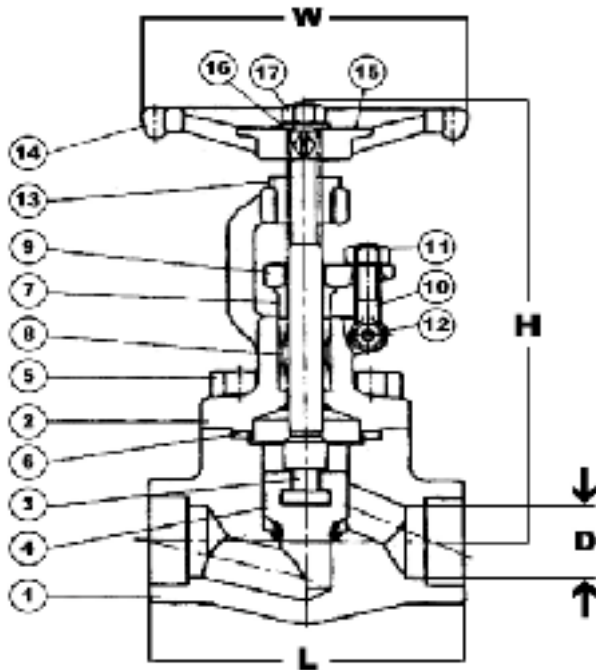
## SERIES: COP860T



**CLASS 800  
STANDARD PORT  
BOLTED BONNET  
OUTSIDE SCREW & YOKE  
THREADED OR SOCKET WELD ENDS  
STAINLESS STEEL SPIRAL WOUND GASKET  
INTEGRAL STELLITED SEATS**

### SPECIFICATIONS

	PART	MATERIAL
1	BODY	A105
2	BONNET	A105
3	STEM	A276-410
4	DISC	A276-420
5	BONNET BOLT	A193-B7
6	GASKET	304+GRAPHITE
7	GLAND	A276-410
8	PACKING	GRAPHITE
9	GLAND FLANGE	WCB
10	GLAND BOLT	A276-410
11	GLAND BOLT NUT	A194-2H
12	GLAND BOLT PIN	A276-410
13	SLEEVE	A276-410
14	HANDWHEEL	A197
15	NAMEPLATE	ALUMINUM
16	HANDWHEEL WASHER	A108-1020
17	HANDWHEEL NUT	A194-2H



### APPLICABLE STANDARDS:

1. BASIC DESIGN, API 602, & ANSI B16.34
2. SOCKET - WELD (S.W), ANSI B16.11
3. THREADED END (T.E), ANSI B1.20.1
4. VALVES TEST AND INSPECT: API 598
5. BODY MATERIAL: A105

SIZE		D		L		H		W		WEIGHT
STANDARD PORT		SEAT DIAMETER		END - TO - END		OPEN		HANDWHEEL DIAMETER		
IN	MM	IN	MM	IN	MM	IN	MM	IN	MM	LBS.
1/2"	15	0.4	10	3.11	79	6.93	176	3.94	100	4.86
3/4"	20	0.52	13	3.63	92	6.93	176	3.94	100	5.24
1"	25	0.67	17	4.37	111	8.35	212	4.93	125	9.10
1-1/2"	40	1.19	30	5.99	152	10	254	6.30	160	17.62
2"	50	1.46	37	6.78	172	11.58	294	7.09	180	26.96
2-1/2"	65	1.83	46	7.88	200	12.88	327	7.88	200	50.00

\* Due to the continuous development of our products, design or construction may change without prior notice