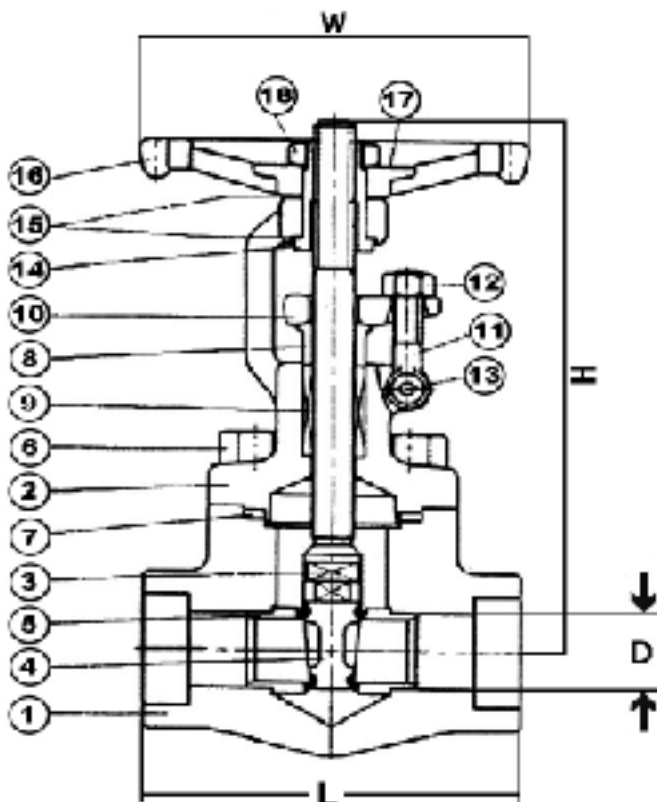




CLASS 800
STANDARD PORT
BOLTED BONNET
OUTSIDE SCREW & YOKE
THREADED OR SOCKET WELD ENDS
STAINLESS STEEL SPIRAL WOUND GASKET
HARDFACED SEATS

SPECIFICATIONS

| | PART | MATERIAL |
|----|----------------|--------------|
| 1 | BODY | A105 |
| 2 | BONNET | A105 |
| 3 | STEM | A276-410 |
| 4 | DISC | A276-420 |
| 5 | SEAT RING | A276-410+STL |
| 6 | BONNET BOLT | A193-B7 |
| 7 | GASKET | 304+GRAPHITE |
| 8 | GLAND | A276-410 |
| 9 | PACKING | GRAPHITE |
| 10 | GLAND FLANGE | WCB |
| 11 | GLAND BOLT | A276-410 |
| 12 | GLAND BOLT NUT | A194-2H |
| 13 | GLAND BOLT PIN | A276-410 |
| 14 | SLEEVE | A276-410 |
| 15 | SLEEVE WASHER | A276-410 |
| 16 | HANDWHEEL | A197 |
| 17 | NAMEPLATE | ALUMINUM |
| 18 | HANDWHEEL NUT | A108-1020 |



APPLICABLE STANDARDS:

1. BASIC DESIGN, API 602, & ANSI B16.34
2. SOCKET - WELD (S.W), ANSI B16.11
3. THREADED END (T.E), ANSI B1.20.1
4. VALVES TEST AND INSPECT: API 598
5. BODY MATERIAL: A105

| SIZE | | D | | L | | H | | W | | WEIGHT |
|---------------|----|---------------|------|----------------|-----|-------|-----|--------------------|-----|--------|
| STANDARD PORT | | SEAT DIAMETER | | END - TO - END | | OPEN | | HANDWHEEL DIAMETER | | |
| IN | MM | IN | MM | IN | MM | IN | MM | IN | MM | LBS. |
| 1/4" | 8 | 0.28 | 7 | 3.11 | 79 | 6.54 | 166 | 3.94 | 100 | 4.88 |
| 1/2" | 15 | 0.39 | 10 | 3.11 | 79 | 6.54 | 166 | 3.94 | 100 | 4.88 |
| 3/4" | 20 | 0.54 | 13.6 | 3.63 | 92 | 6.66 | 169 | 3.94 | 100 | 5.20 |
| 1" | 25 | 0.71 | 18 | 4.37 | 111 | 7.6 | 193 | 4.93 | 125 | 9.10 |
| 1-1/4" | 32 | 0.95 | 24 | 4.73 | 120 | 9.06 | 230 | 6.30 | 160 | 15.00 |
| 1-1/2" | 40 | 1.15 | 29 | 4.73 | 120 | 9.69 | 246 | 6.30 | 160 | 14.70 |
| 2" | 50 | 1.45 | 36.8 | 5.52 | 140 | 11.15 | 283 | 7.09 | 180 | 24.10 |
| 2-1/2" | 65 | 1.83 | 46.5 | 7 | 178 | 13 | 330 | 7.88 | 200 | 47.00 |

* Due to the continuous development of our products, design or construction may change without prior notice