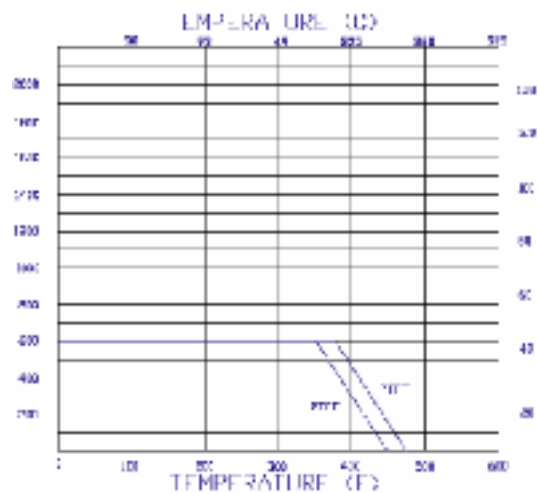
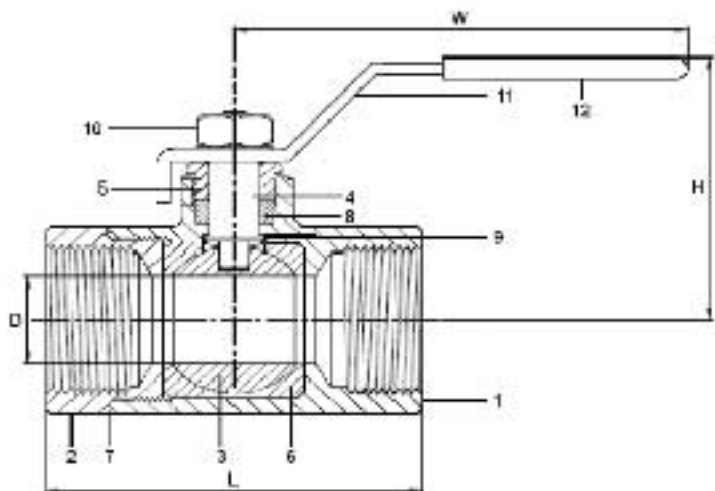
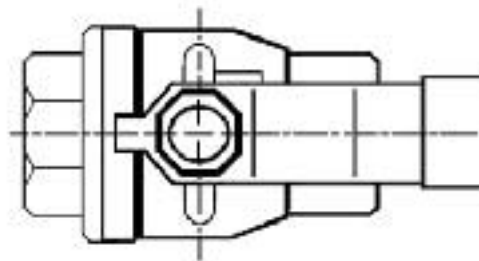




2 PIECE FORGED BRASS BALL VALVE

SERIES: COP3000B



FULL PORT
600 W.O.G.
2 PIECE BODY
UL, SA APPROVED
PTFE SEAL AND PACKING
BLOW OUT PROOF STEM
THREADS CONFORM TO ASME B1.20.1 (NPT)

SPECIFICATIONS

PART	MATERIAL
BODY	FORGED BRASS ASTM C37700
CAP	FORGED BRASS ASTM C37700
BALL	CHROME PLATED BRASS
STEM	BRASS ASTM B16
GLAND NUT	BRASS ASTM B16
BALL SEAT	PTFE
BODY SEAL	PTFE
PACKING	PTFE
THRUST WASHER	PTFE
STEM NUT	ZINC PLATED STEEL
HANDLE	ZINC PLATED STEEL
HANDLE SLEEVE	PVC

DIMENSIONS

NPS	PART #	L	H	W	D	WEIGHT
1/4"	COP3000B02	1.81	1.52	3.35	0.39	0.40
3/8"	COP3000B03	1.81	1.52	3.35	0.47	0.40
1/2"	COP3000B04	2.32	1.61	3.35	0.59	0.51
3/4"	COP3000B05	2.65	1.78	3.35	0.79	0.73
1"	COP3000B06	3.05	1.97	4.13	1.00	1.19
1 1/4"	COP3000B07	3.62	2.19	4.13	1.26	1.72
1 1/2"	COP3000B08	4.00	2.70	5.12	1.57	2.50
2"	COP3000B09	4.82	3.42	5.12	2.00	4.25
2 1/2"	COP3000B10	6.11	4.10	7.06	2.50	9.00
3"	COP3000B11	6.64	4.47	7.06	3.00	12.10
4"	COP3000B12	7.32	5.52	9.42	4.00	16.95

* Due to the continuous development of our products, design or construction may change without prior notice