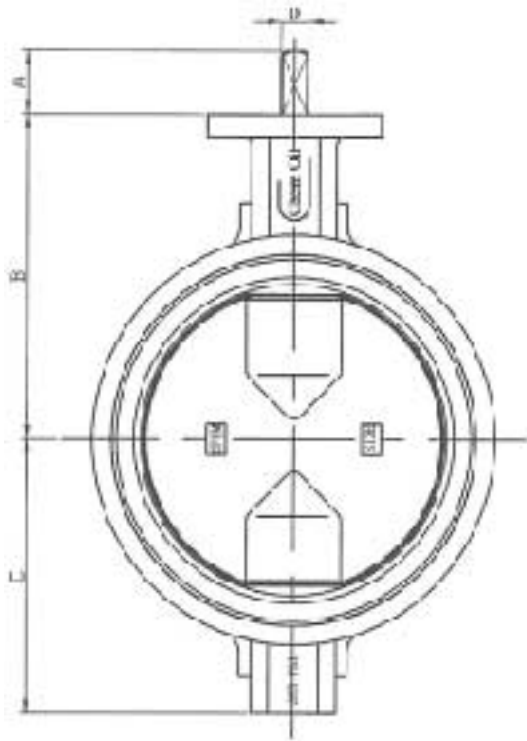
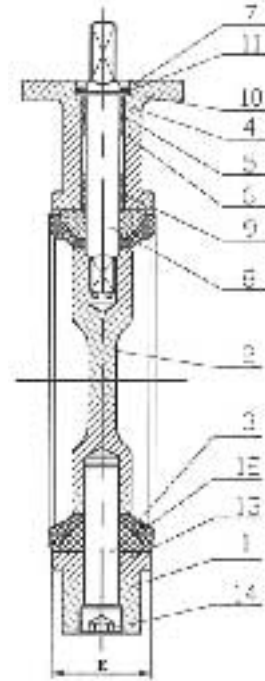


WAFER TYPE BUTTERFLY VALVE

285 PSI SERIES: COP2015W



BILL OF MATERIALS

	PART	MATERIAL
1	BODY	WCB
2	DISC	CF8M
3	SEAT	VITON
4	BUSHING	PTFE
5	O RING	NBR
6	BUSHING	PTFE
7	GARTER SPRING	CAST STEEL
8	UPPER SHAFT	SS 410
9	BUSHING	PTFE
10	SPLIT RING	CAST STEEL PLATED ZN
11	WASHER	CAST STEEL PLATED ZN
12	LOWER SHAFT	SS 410
13	BUSHING	NYLON
14	SCREW	CAST STEEL PLATED ZN

DIMENSIONS

SIZE	2"	2.5"	3"	4"	5"	6"	8"	10"	12"
A	1 1/4"	1 1/4"	1 1/4"	1 1/4"	1 1/4"	1 1/4"	1 47/64"	1 47/64"	1 47/64"
B	3 15/16"	4 29/64"	4 7/8"	5 63/64"	5 63/64"	6 1/2"	8 5/64"	9 31/32"	10 29/32"
C	3 5/32"	3 1/2"	3 3/4"	4 31/64"	5"	5 31/64"	6 7/8"	8"	9 17/32"
D	23/64"	23/64"	23/64"	7/16"	9/16"	9/16"	43/64"	7/8"	7/8"
E	1 21/32"	1 3/4"	1 25/32"	2 3/64"	2 9/64"	2 13/64"	2 25/64"	2 37/64"	3 1/32"
WT. (lbs)	7.26	8.63	9.05	12.43	15.98	19.12	35.29	51.75	75.31

* Due to the continuous development of our products, design or construction may change without prior notice