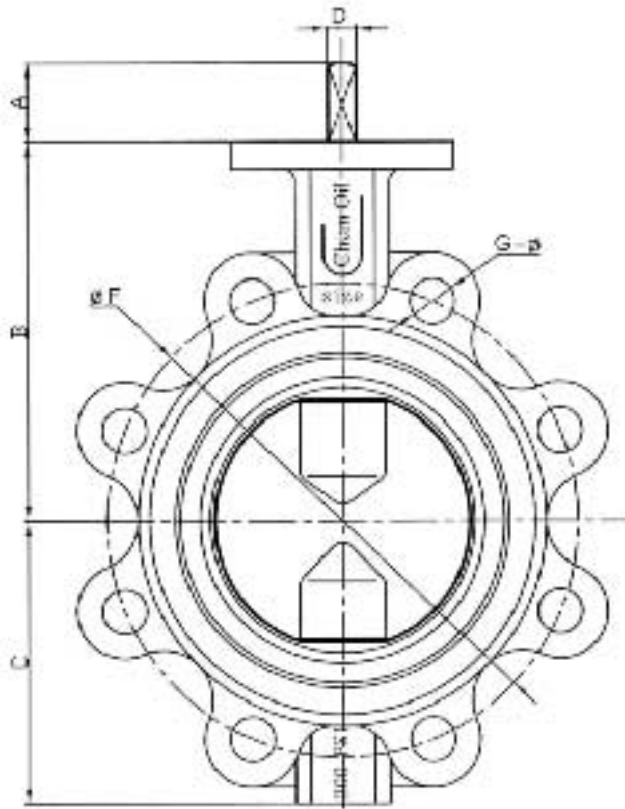
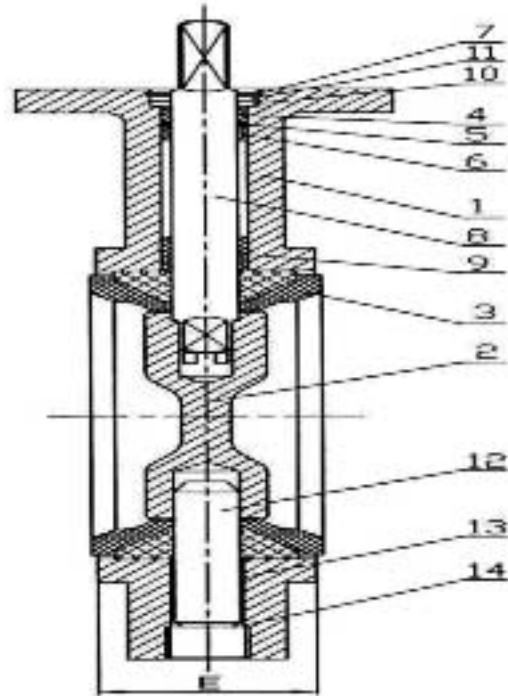
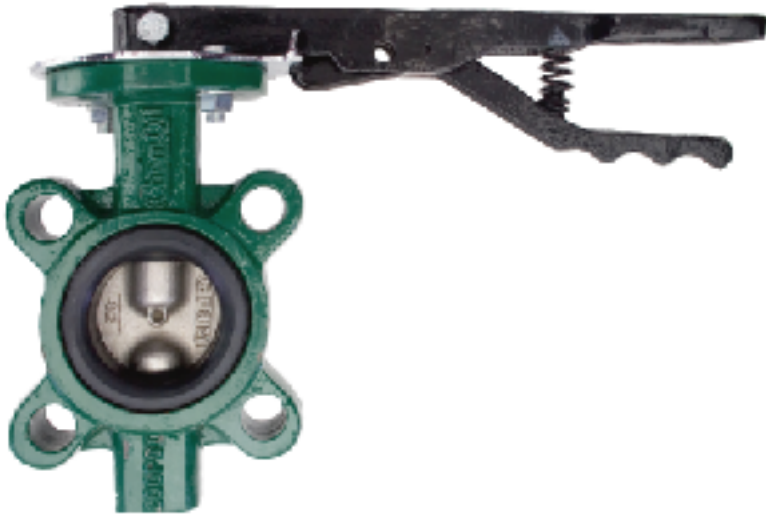


LUG TYPE BUTTERFLY VALVE

200 PSI SERIES: COP2014L



BILL OF MATERIALS

PART	MATERIAL
1	BODY DUCTILE IRON
2	DISC AL-BRONZE/ SS
3	SEAT EPDM/BUNA
4	BUSHING F4
5	O RING BUNA
6	BUSHING F4
7	GARTER SPRING CARBON STEEL
8	UPPER SHAFT SS410
9	BUSHING F4
10	GASKET CARBON STEEL
11	HALF RING CARBON STEEL
12	LOWER SHAFT SS410
13	BUSHING NYLON
14	PLUG CARBON STEEL + ZN

DIMENSIONS

SIZE	2"	2.5"	3"	4"	5"	6"	8"	10"	12"
A	1 1/4"	1 1/4"	1 1/4"	1 1/4"	1 1/4"	1 1/4"	1 3/4"	1 3/4"	1 3/4"
B	3 15/16"	4 1/2"	4 7/8"	6"	6"	6 1/2"	8 1/16"	10"	10 15/16"
C	3 1/6"	3 1/2"	3 3/4"	4 1/2"	5"	5 1/2"	6 7/8"	8"	9 1/2"
D	3/8"	3/8"	3/8"	7/16"	9/16"	9/16"	11/16"	7/8"	7/8"
E	1 21/32"	1 3/4"	1 3/4"	2 1/16"	2 9/64"	2 7/32"	2 3/8"	2 37/64"	3"
F	4 3/4"	5 1/2"	6"	7 1/2"	8 1/2"	9 55/64"	11 3/4"	14 1/4"	17"
G	5/32"	5/32"	5/32"	5/16"	5/16"	5/16"	5/16"	15/32"	15/32"
H	3/4"	3/4"	3/4"	3/4"	7/8"	7/8"	7/8"	7/8"	7/8"

* Due to the continuous development of our products, design or construction may change without prior notice