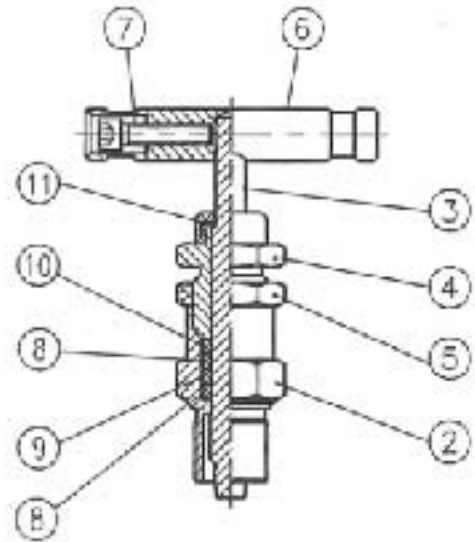
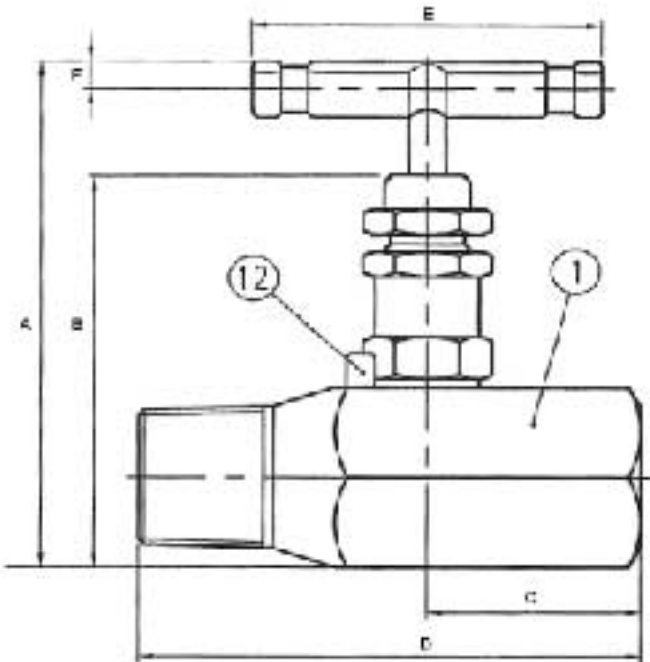


STAINLESS STEEL NEEDLE VALVE SERIES: SPV-6000



SPECIFICATIONS

RATED TO 6,000 PSI (V TYPE)
STAINLESS STEEL CONSTRUCTION
TEFLON/VITON PACKING AND SEALS
WORKING TEMPERATURE -20 DEG F TO 200 DEG F
THREADS CONFORM TO ASME B1.20.1
AVAILABLE IN MxM, MxF, AND FxF



ITEM	MATERIAL	
1	VALVE BODY	SS316
2	BONNET	SS316
3	STEM	SS316
4	PACKING NUT	SS316
5	FIXING SCREW	SS316
6	HANDLE	SS303
7	HANDLE FIXING SCREW	SS302
8	PACKING	VITON O-RING
9	BACK UP RING	TEFLON
10	BACK UP RING	TEFLON
11	DUST CAP	NBR
12	BONNET LOCK PIN	SS303

DIMENSIONS- 6,000 PSI

NPS	PART #	DESCRIPTION	A	B	C	D	E	F
1/4"	COPSPV4M4FV	STAINLESS STEEL MXF 6,000 PSI	3.54	2.748	1.377	3.228	2.244	0.259
1/2"	COPSPV8M8FV	STAINLESS STEEL MXF 6,000 PSI	3.54	2.748	1.377	3.228	2.244	0.259
3/4"	COPSPV12M12FV	STAINLESS STEEL MXF 6,000 PSI	3.54	2.748	1.377	3.228	2.244	0.259
1"	COPSPV16M16FV	STAINLESS STEEL MXF 6,000 PSI	4.252	2.952	1.575	3.701	2.244	0.259

* Due to the continuous development of our products, design or construction may change without prior notice