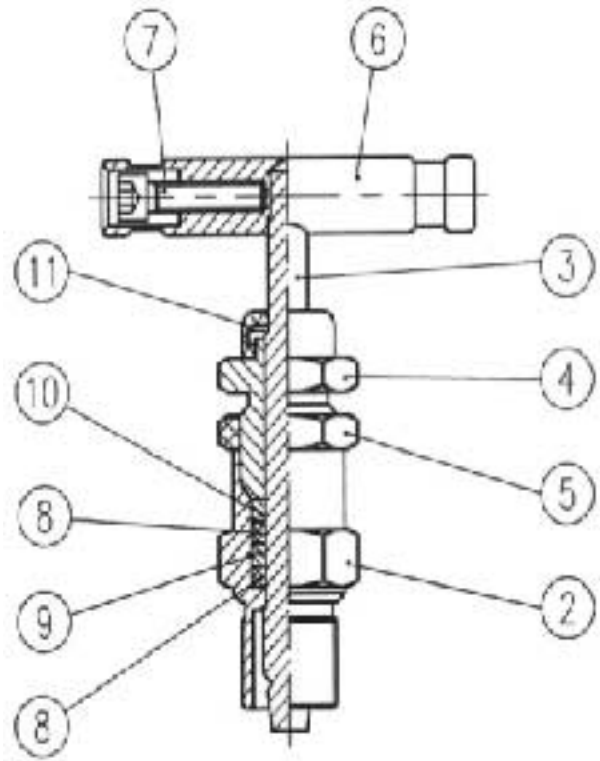
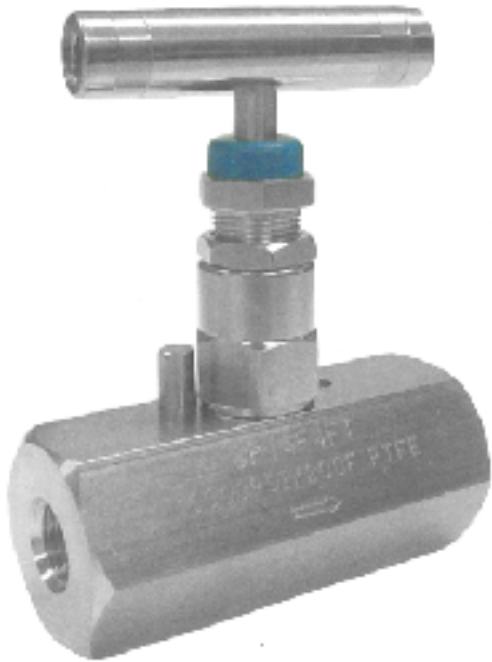


STAINLESS STEEL F X F NEEDLE VALVE

SERIES: SPV-6000



SPECIFICATIONS

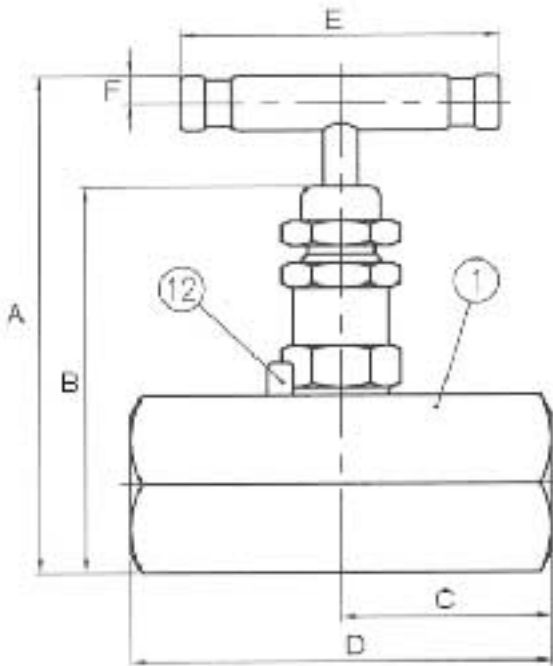
RATED TO 6,000 PSI (V TYPE)

STAINLESS STEEL CONSTRUCTION

TEFLON PACKING

WORKING TEMPERATURE -20 DEG F TO 200 DEG F

THREADS CONFORM TO ASME B1.20.1



ITEM	V TYPE
1	SS 316
2	SS 316
3	SS 316
4	SS 316
5	SS 316
6	SS 303
7	SS 302
8	VITON O-RING
9	TEFLON
10	TEFLON
11	NBR
12	SS 303

DIMENSIONS - 6,000 PSI

NPS	PART #	DESCRIPTION	A	B	C	D	E	F
1/4"	SPV4F4FV	STAINLESS STEEL F X F 6000 PSI	3.543	2.748	1.477	2.953	2.244	0.197
1/2"	SPV8F8FV	STAINLESS STEEL F X F 6000 PSI	3.543	2.748	1.477	2.953	2.244	0.197
3/4"	SPV12F12FV	STAINLESS STEEL F X F 6000 PSI	3.543	2.748	1.477	2.953	2.244	0.197
1"	SPV16F16FV	STAINLESS STEEL F X F 6000 PSI	3.543	2.748	1.477	2.953	2.244	0.197

* Due to the continuous development of our products, design or construction may change without prior notice