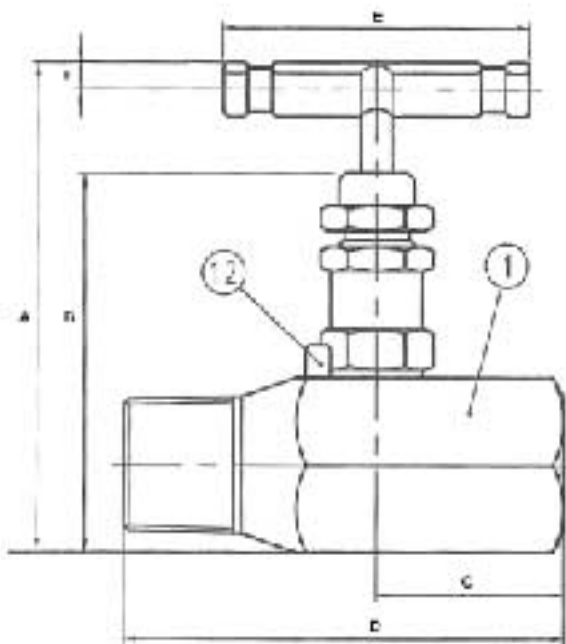


SPECIFICATIONS

- RATED TO 10,000 PSI (T TYPE)
- STAINLESS STEEL CONSTRUCTION
- TEFLON PACKING
- WORKING TEMPERATURE -20 DEG F TO 200 DEG F
- THREADS CONFORM TO ASME B1.20.1
- AVAILABLE IN MxM, MxF, AND FxF



	ITEM	MATERIAL
1	VALVE BODY	SS316
2	BONNET	SS316
3	STEM	SS316
4	PACKING NUT	SS316
5	FIXING SCREW	SS316
6	HANDLE	SS303
7	HANDLE FIXING SCREW	SS302
8	PACKING	TEFLON
9	BACK UP RING	SS304
10	BACK UP RING	SS304
11	DUST CAP	NBR
12	BONNET LOCK PIN	SS303

DIMENSIONS

NPS	PART #	DESCRIPTION	A	B	C	D	E	F
1/4"	COPSPV4M4FT	STAINLESS STEEL MXF 10,000 PSI	3.54	2.748	1.377	3.228	2.244	0.259
1/2"	COPSPV8M8FT	STAINLESS STEEL MXF 10,000 PSI	3.54	2.748	1.377	3.228	2.244	0.259
3/4"	COPSPV12M12FT	STAINLESS STEEL MXF 10,000 PSI	3.54	2.748	1.377	3.228	2.244	0.259
1"	COPSPV16M16FT	STAINLESS STEEL MXF 10,000 PSI	4.252	2.952	1.575	3.701	2.244	0.259

* Due to the continuous development of our products, design or construction may change without prior notice