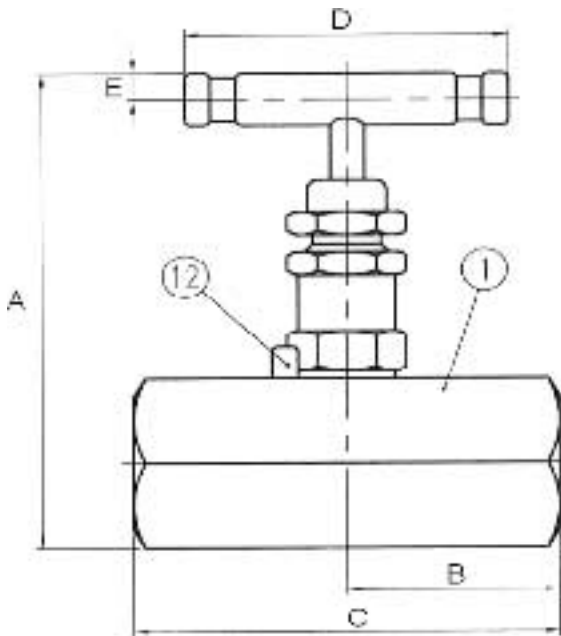
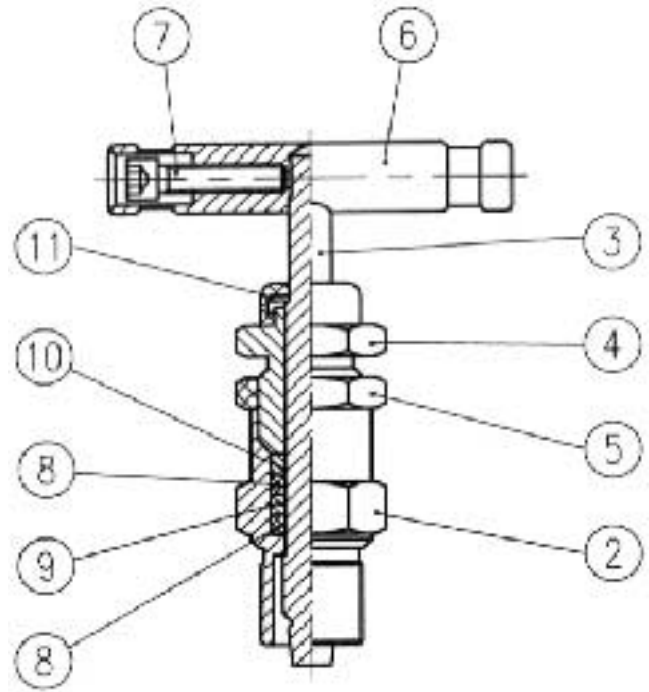
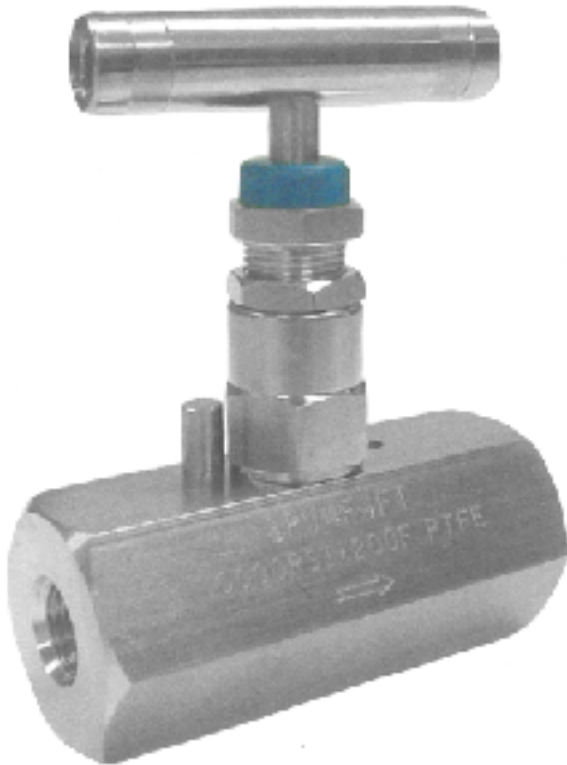


STAINLESS STEEL F X F NEEDLE VALVE

SERIES: SPV-10000



SPECIFICATIONS

RATED TO 10,000 PSI (T TYPE)

STAINLESS STEEL CONSTRUCTION

TEFLON PACKING

WORKING TEMPERATURE -20 DEG F TO 200 DEG F

THREADS CONFORM TO ASME B1.20.1

ITEM	T TYPE
1	BODY SS 316
2	BONNET SS 316
3	STEM SS 316
4	PACKING NUT SS 316
5	FIXING SCREW SS 316
6	HANDLE SS 303
7	HANDLE FIXING SCREW SS 302
8	PACKING TEFLON O-RING
9	BACK UP RING TEFLON
10	BACK UP RING TEFLON
11	DUST CAP NBR
12	BONNET LOCK PIN SS 303

DIMENSIONS - 10,000 PSI

NPS	PART #	DESCRIPTION	A	B	C	D	E
1/4"	SPV4F4FV	STAINLESS STEEL F X F 10000 PSI	3.859	1.496	2.953	2.244	0.197
1/2"	SPV8F8FV	STAINLESS STEEL F X F 10000 PSI	3.859	1.496	2.953	2.244	0.197
3/4"	SPV12F12FV	STAINLESS STEEL F X F 10000 PSI	3.859	1.496	2.953	2.244	0.197
1"	SPV16F16FV	STAINLESS STEEL F X F 10000 PSI	3.859	1.496	2.953	2.244	0.197

* Due to the continuous development of our products, design or construction may change without prior notice