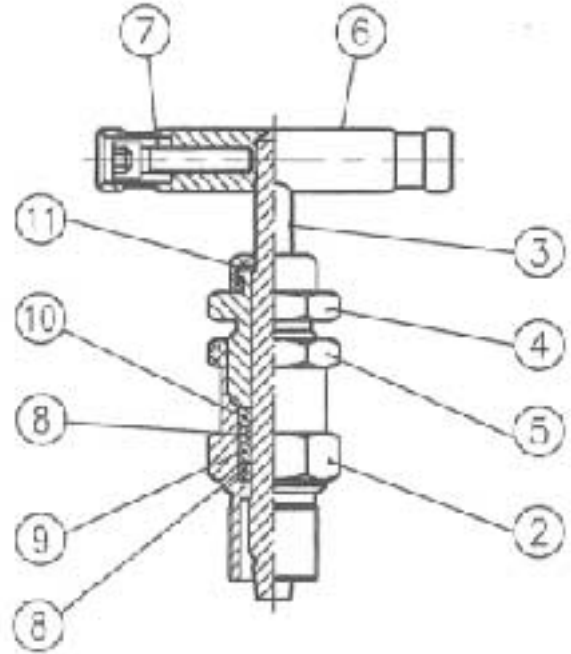
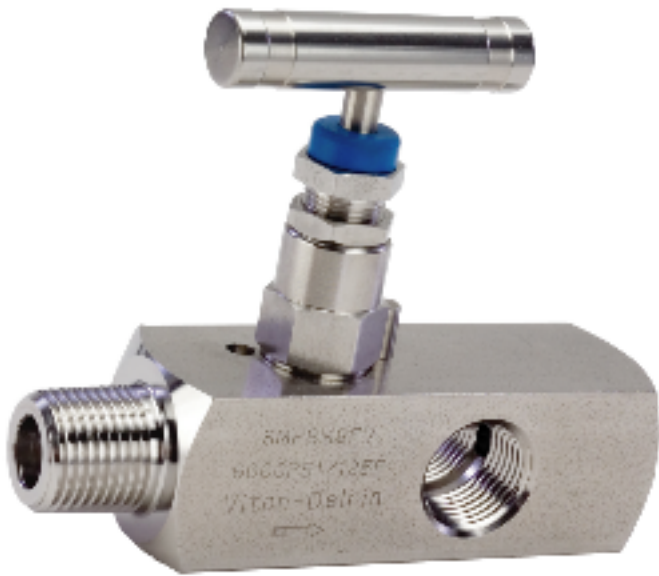


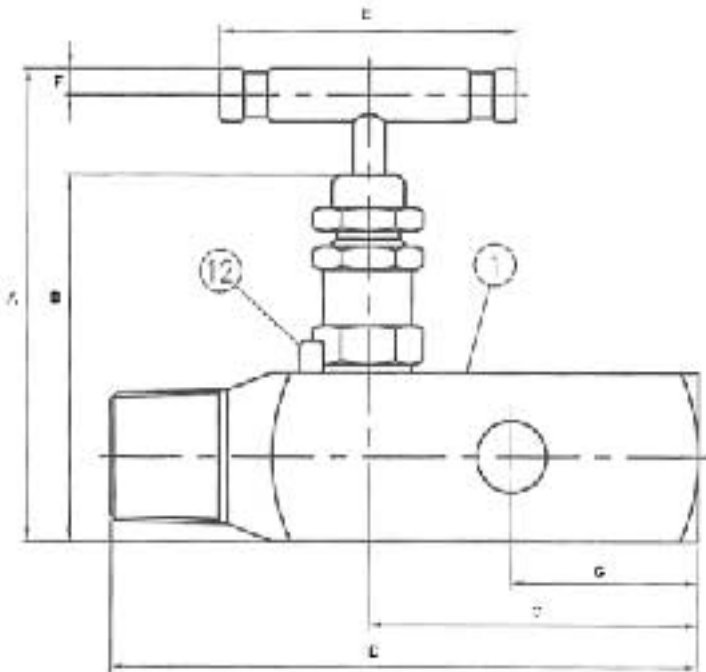
STAINLESS STEEL MULTIPOINT NEEDLE VALVE

SERIES: SMP-6000



SPECIFICATIONS

RATED TO 6,000 PSI (V TYPE)
 STAINLESS STEEL CONSTRUCTION
 TEFLON/VITON PACKING AND SEALS
 WORKING TEMPERATURE -20 DEG F TO 200 DEG F
 THREADS CONFORM TO ASME B1.20.1



ITEM	MATERIAL	
1	VALVE BODY	SS316
2	BONNET	SS316
3	STEM	SS316
4	PACKING NUT	SS316
5	FIXING SCREW	SS316
6	HANDLE	SS303
7	HANDLE FIXING SCREW	SS302
8	PACKING	VITON
9	BACK UP RING	TEFLON
10	BACK UP RING	TEFLON
11	DUST CAP	NBR
12	BONNET LOCK PIN	SS303

DIMENSIONS- 6,000 PSI

NPS	PART #	DESCRIPTION	A	B	C	D	E	F	G
1/2"	COPSMP8M8FV	STAINLESS STEEL MX3F 6,000 PSI	3.54	2.748	2.499	4.449	2.244	0.1968	1.417
3/4"	COPSMP12M8FV	STAINLESS STEEL MX3F 6,000 PSI	3.54	2.748	2.499	4.449	2.244	0.1968	1.417

* Due to the continuous development of our products, design or construction may change without prior notice