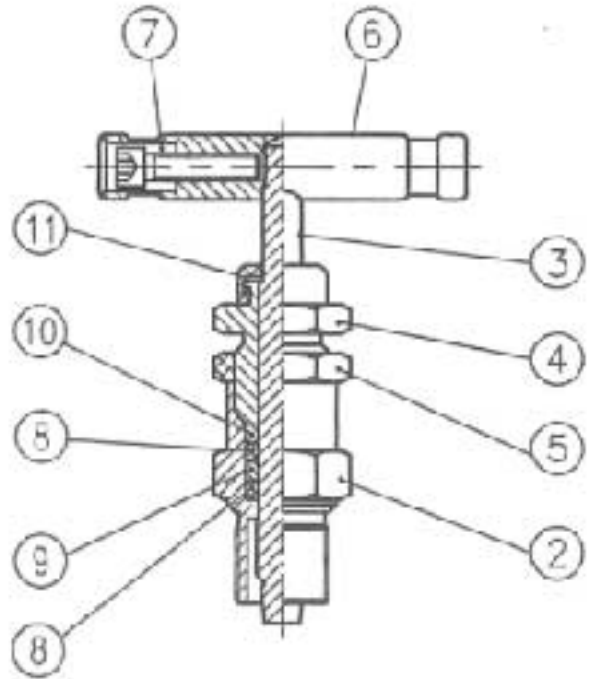


# STAINLESS STEEL MULTIPORT NEEDLE VALVE

SERIES: SMP-10000



## SPECIFICATIONS

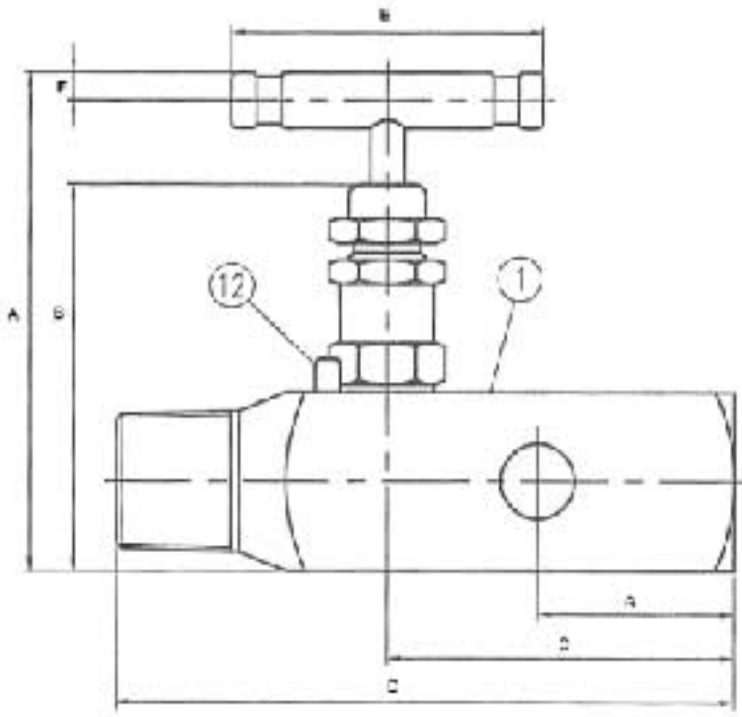
RATED TO 10,000 PSI (T TYPE)

STAINLESS STEEL CONSTRUCTION

TEFLON PACKING

WORKING TEMPERATURE -20 DEG F TO 200 DEG F

THREADS CONFORM TO ASME B1.20.1



	ITEM	MATERIAL
1	VALVE BODY	SS316
2	BONNET	SS316
3	STEM	SS316
4	PACKING NUT	SS316
5	FIXING SCREW	SS316
6	HANDLE	SS303
7	HANDLE FIXING SCREW	SS302
8	PACKING	TEFLON
9	BACK UP RING	SS304
10	BACK UP RING	SS304
11	DUST CAP	NBR
12	BONNET LOCK PIN	SS303

## DIMENSIONS- 10,000 PSI

NPS	PART #	DESCRIPTION	A	B	C	D	E	F	G
1/2"	COPSMP8M8FT	STAINLESS STEEL MX3F 10,000 PSI	3.54	2.748	2.499	4.449	2.244	0.197	1.417
3/4"	COPSMP12M8FT	STAINLESS STEEL MX3F 10,000 PSI	3.54	2.748	2.499	4.449	2.244	0.197	1.417

\* Due to the continuous development of our products, design or construction may change without prior notice