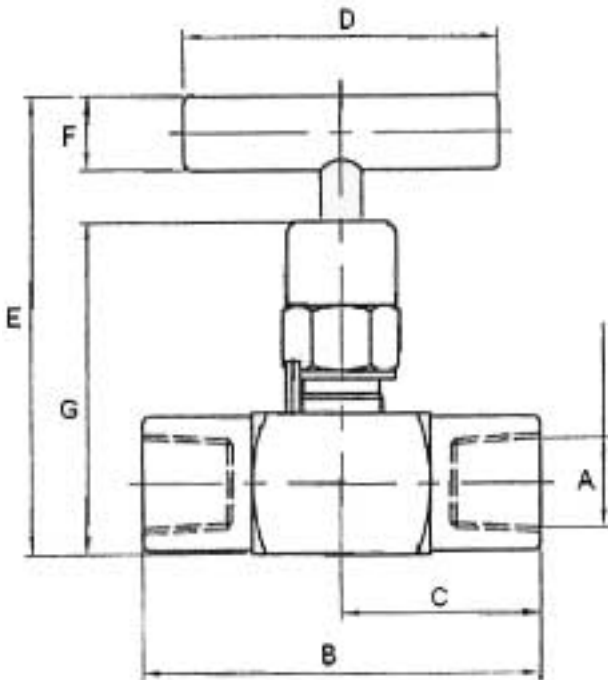
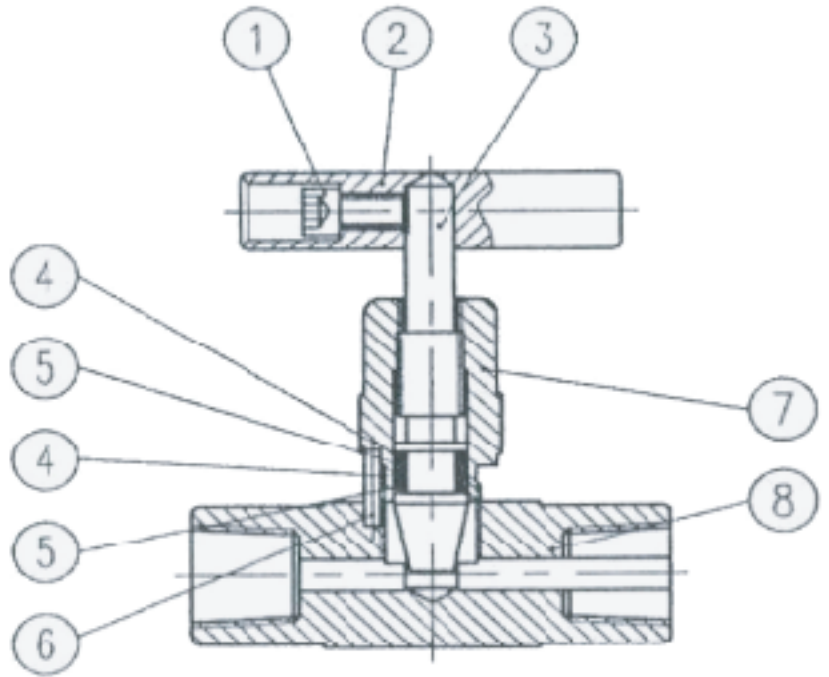
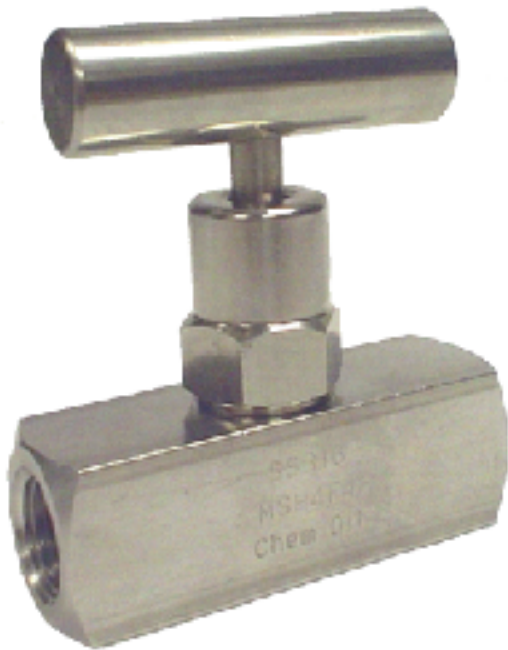


**STAINLESS STEEL F X F MINI
NEEDLE VALVE
SERIES: COPMSH**



SPECIFICATIONS

**RATED TO 6,000 PSI
STAINLESS STEEL CONSTRUCTION
VITON PACKING AND SEALS
WORKING TEMPERATURE - 20 DEG F TO 100 DEG F
THREADS CONFORM TO ASME B1.20.1**

ITEM	MATERIAL	
1	Handle Fixing Screw	SS 320
2	Handle	SS 303
3	Stem	SS 316
4	Back Up Ring	Teflon
5	O - Ring	Viton
6	Bonnet Lock Pin	SS 303
7	Bonnet	SS 316
8	Body	SS 316

DIMENSIONS

NPS	PART #	STYLE	WEIGHT	A	B	C	D	E	F	G
1/4"	COPMSH4F4F	F X F	0.71	PT 1/8	2.284"	1.142"	1.811"	2.441"	0.394"	1.772"

* Due to the continuous development of our products, design or construction may change without prior notice