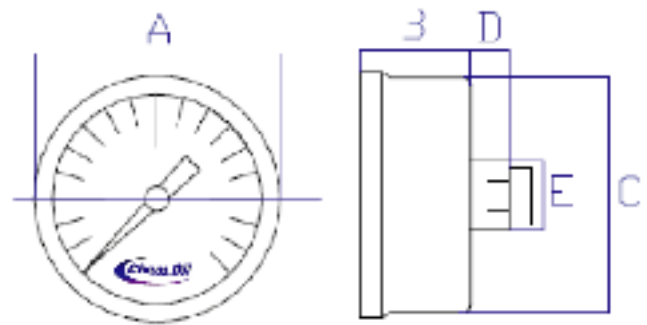


BOTTOM CONNECTION 101

SPECIFICATIONS

PART	MATERIAL
CASE	BLACK STEEL
BEZEL	BLACK CRIMPED ALUMINUM
DIAL	WHITE WITH BLUE AND BLACK LETTERING
POINTER	BLACK ALUMINUM WITH STOP
WINDOW	ACRYLIC
BOURDON TUBE	PHOSPHOR BRONZE
CONNECTOR	BRASS
MOVEMENT	BRASS
CONNECTION	CENTERBACK OR BOTTOM CONNECT
EXECUTION	WITHOUT LIQUID FILLING
ACCURACY	3-2-3-OF SPAN ASME B40.1 GRADE B



CENTERBACK CONNECTION 102

DIMENSIONS

SIZE	PART #	PRESSURE RANGE	CONNECTION	A	B	C	D	E	F	WEIGHT
1 1/2"	COP102D-158C	0-30	1/8" NPT C/B OR LM	1.73	1.06	1.57	0.28	0.55	-	0.155
1 1/2"	COP102D-158D	0-60	1/8" NPT C/B OR LM	1.73	1.06	1.57	0.28	0.55	-	0.155
1 1/2"	COP102D-158E	0-100	1/8" NPT C/B OR LM	1.73	1.06	1.57	0.28	0.55	-	0.155
1 1/2"	COP102D-158F	0-160	1/8" NPT C/B OR LM	1.73	1.06	1.57	0.28	0.55	-	0.155
SIZE	PART #	PRESSURE RANGE	CONNECTION	A	B	C	D	E	F	WEIGHT
2"	COP102D-208C	0-30	1/4" NPT C/B OR LM	2.09	1.08	1.97	0.28	0.55	-	0.19
2"	COP102D-208D	0-60	1/4" NPT C/B OR LM	2.09	1.08	1.97	0.28	0.55	-	0.19
2"	COP102D-208E	0-100	1/4" NPT C/B OR LM	2.09	1.08	1.97	0.28	0.55	-	0.19
2"	COP102D-208F	0-160	1/4" NPT C/B OR LM	2.09	1.08	1.97	0.28	0.55	-	0.19
SIZE	PART #	PRESSURE RANGE	CONNECTION	A	B	C	D	E	F	WEIGHT
2 1/2"	COP102D-254A	30/0 HG VAC	1/4" NPT C/B OR LM	2.64	1.12	2.48	1.52	0.55	0.39	0.21
2 1/2"	COP102D-254CC	30/0/30	1/4" NPT C/B OR LM	2.64	1.12	2.48	1.52	0.55	0.39	0.21
2 1/2"	COP102D-254C	0-30	1/4" NPT C/B OR LM	2.64	1.12	2.48	1.52	0.55	0.39	0.21
2 1/2"	COP102D-254D	0-60	1/4" NPT C/B OR LM	2.64	1.12	2.48	1.52	0.55	0.39	0.21
2 1/2"	COP102D-254E	0-100	1/4" NPT C/B OR LM	2.64	1.12	2.48	1.52	0.55	0.39	0.21
2 1/2"	COP102D-254F	0-160	1/4" NPT C/B OR LM	2.64	1.12	2.48	1.52	0.55	0.39	0.21
2 1/2"	COP102D-254G	0-200	1/4" NPT C/B OR LM	2.64	1.12	2.48	1.52	0.55	0.39	0.21
2 1/2"	COP102D-254H	0-300	1/4" NPT C/B OR LM	2.64	1.12	2.48	1.52	0.55	0.39	0.21
2 1/2"	COP102D-254K	0-600	1/4" NPT C/B OR LM	2.64	1.12	2.48	1.52	0.55	0.39	0.21
2 1/2"	COP102D-254M	0-1,000	1/4" NPT C/B OR LM	2.64	1.12	2.48	1.52	0.55	0.39	0.21

* Due to the continuous development of our products, design or construction may change without prior notice